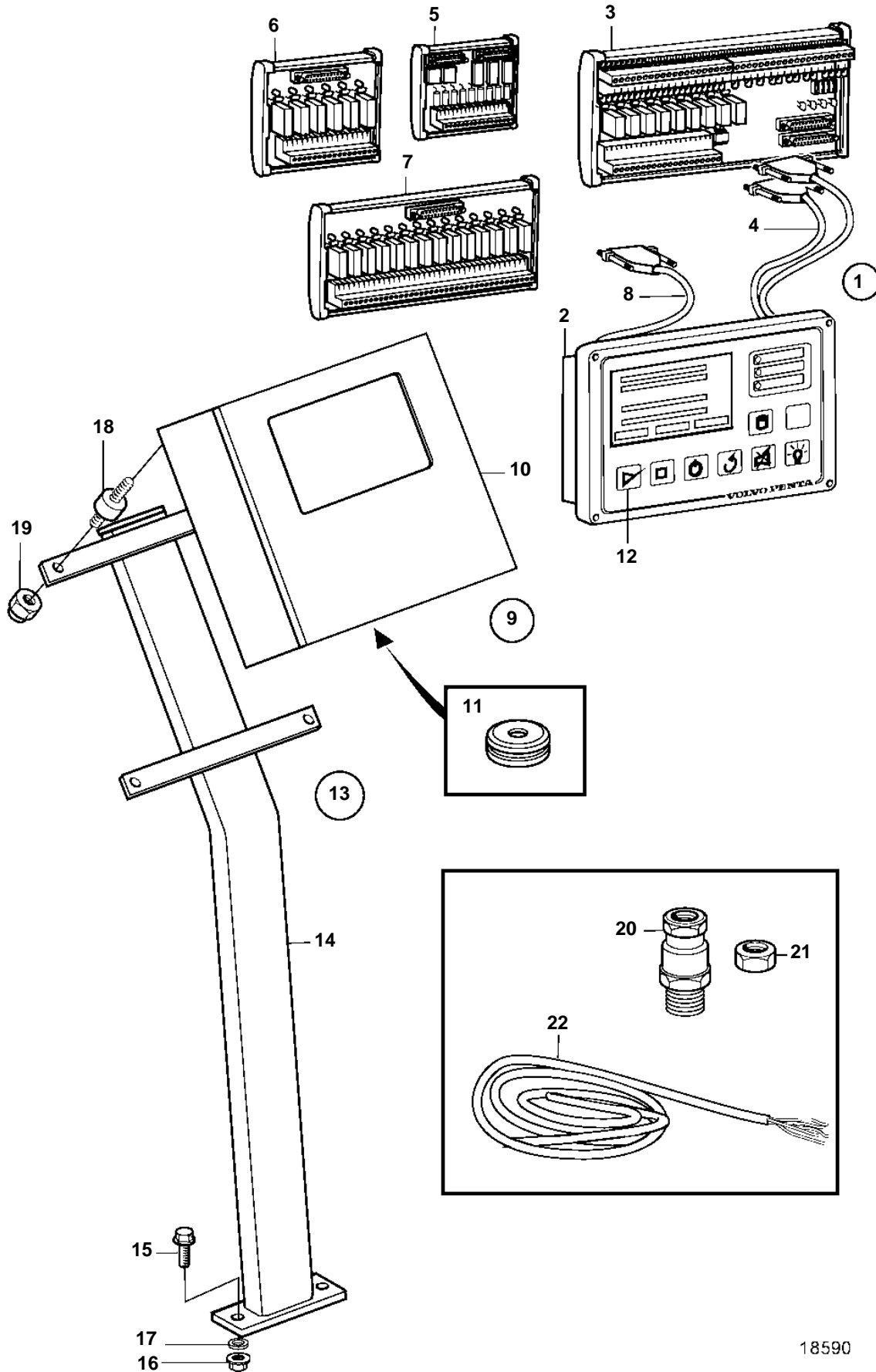


TAMD74A-A, TAMD74A-B, TAMD74A AUX



18590

TAMD74A-A, TAMD74A-B, TAMD74A AUX

REF	PART NO.	QTY	DESCRIPTION	NOTES
1		1	Control panelControl unit	CU 2500 P
2		1	Control unit	
3	874162	1	· Terminal, RK-60	REPL BY 874466
		1	· Terminal, RK-66	
4	874163	2	· Wiring harness	25-pin D-SUB
6	874165	1	Relay	MK-6
8	874166	1	Wiring harness	15-pin D-SUB
10	3830520	1	· Box	
11	941268	3	· Protecting plug	
12	662620	1	· Rubber button	