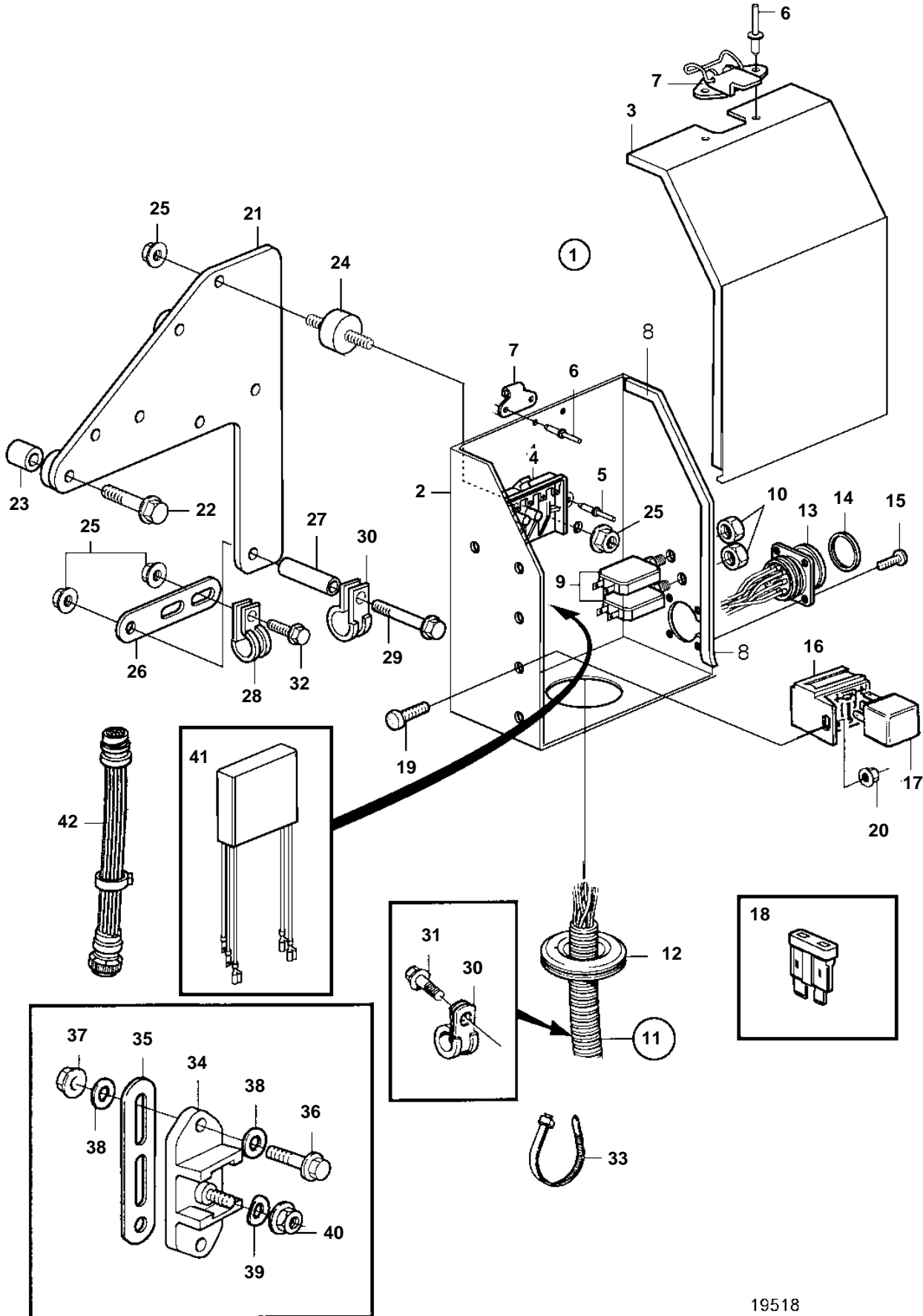


TAMD74C-A, TAMD74L-A, TAMD74P-A, TAMD74C-B, TAMD74L-B, TAMD74P-B, TAMD75P-A



19518

TAMD74C-A, TAMD74L-A, TAMD74P-A, TAMD74C-B, TAMD74L-B, TAMD74P-B, TAMD75P-A

| REF | PART NO. | QTY | DESCRIPTION | NOTES |
|-----|----------|-----|--------------------------------------|---|
| 1 | 3825254 | 1 | Electrical distribut | |
| 2 | | 1 | • Box | |
| 3 | 3825253 | 1 | • Cover | |
| 4 | 1234048 | 1 | • Lower section | |
| 5 | 942670 | 2 | • Rivet | |
| 6 | 965592 | 4 | • Rivet | |
| 7 | 3825257 | 1 | • Tension lock | |
| 8 | 1214306 | 1 | • Protecting moulding | |
| 9 | 966689 | 2 | Fuse | |
| 10 | | 2 | • Nut | |
| 11 | 874183 | 1 | Wiring harness | |
| 12 | 943920 | 1 | • Protecting plug | |
| 13 | 846611 | 1 | • Sleeve connector, instrument panel | |
| 14 | 846615 | 1 | • Sealing ring | |
| 15 | 945761 | 4 | Screw | |
| 16 | 977184 | 2 | Tab housing | |
| 17 | 873765 | 3 | Relay | 12V |
| | 9518230 | 3 | Relay | 24V |
| 18 | 980555 | 1 | Fuse | |
| 19 | 956075 | 3 | Screw | (967378) |
| 20 | 965483 | 3 | Nut | |
| 21 | 866694 | 1 | Bracket | |
| 22 | 946470 | 3 | Flange screw | |
| 23 | 845589 | 3 | Spacer sleeve | |
| 24 | 3574797 | 3 | Rubber cushion | |
| 25 | 949278 | 9 | Lock nut | M6 |
| 26 | 965540 | 1 | Bracket | |
| 27 | 848229 | 1 | Sleeve | |
| 28 | 949747 | 2 | Clamp | |
| 29 | 965177 | 1 | Flange screw | M6 |
| 30 | 947827 | 2 | Clamp | |
| | 949747 | 2 | Clamp | |
| | 952635 | 4 | Clamp | |
| 31 | 946440 | 1 | Flange screw | M8 |
| | 945414 | 6 | Screw | M6 |
| 32 | 945414 | 2 | Screw | M6 |
| 33 | 948211 | 7 | Strip clamp | |
| 34 | 6776926 | 2 | Terminal block | M6 connecting, only 12v engines |
| 35 | 965541 | 2 | Bracket | Only 12V engines. |
| 36 | 965200 | 4 | Flange screw | M5x16. Only 12V engines. |
| 37 | 949874 | 4 | Lock nut | M5. Only 12V engines. |
| 38 | 960140 | 8 | Washer | Only 12V engines. |
| 39 | 941906 | 2 | Spring washer | Only 12V engines. |
| 40 | 945407 | 2 | Flange nut | M6. Only 12V engines. |
| 41 | 874184 | 1 | Converter | Only 12V engines. |
| 42 | 873689 | 1 | Cable kit | This cable kit is needed for the connection of EDC-system to an instrument panel or instrument panel kit. |