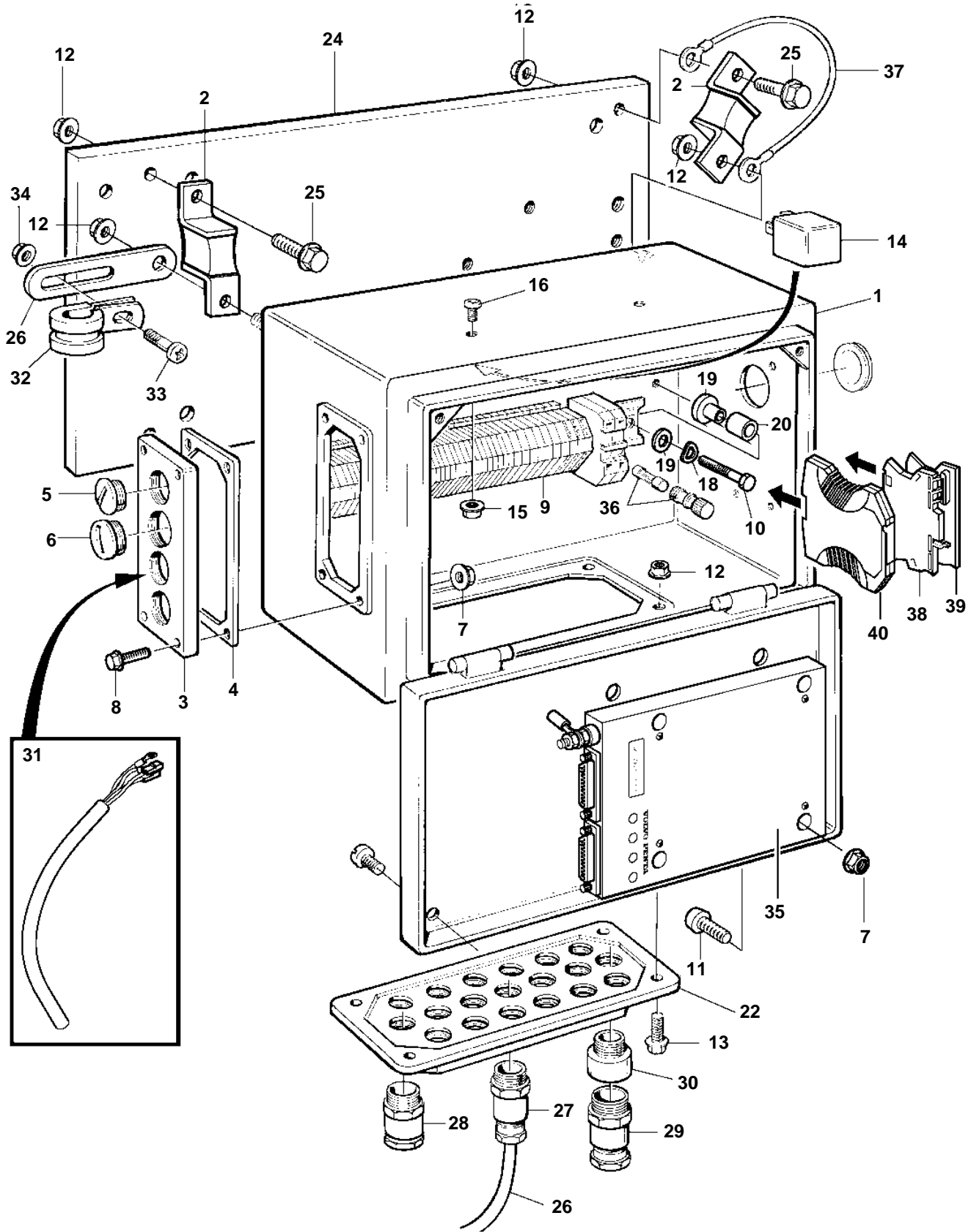


TAMD74A-A, TAMD74A-B, TAMD74A AUX



TAMD74A-A, TAMD74A-B, TAMD74A AUX

REF	PART NO.	QTY	DESCRIPTION	SEE SEC.	NOTES
1	873885	1	Electrical distribut		REPL BY 874647
	874647	1	Electrical distribut		
2	845513	1	Absorber		
3	843094	1	Flange		
4	843578	1	Gasket		
5	843903	3	Plug		
6	843904	1	Plug		
7	963105	8	Nut		M6
8	946544	4	Flange screw		M6x16
9	874158	1	Terminal block		(873608)
10	956081	2	Screw		M5x25
11	956093	4	Screw		M6x14
12	948645	12	Lock nut		M8
13	946440	4	Flange screw		M8x16mm
14	20374662	5	Relay		(9518230)
15	963104	2	Nut		M5
16	956075	2	Screw		M5x10
17	960138	2	Washer		
18	941905	2	Spring washer		
19	824830	2	Spacer sleeve		
20	403894	2	Spacer sleeve		
21	874278	1	Sender		
22		1	Bracket	5454	
23	946173	4	Flange screw		M8x20mm
24	965534	2	Bracket		
25	874854	X	Cable		2x1,5sq.mm. Non reinforced ship cable approved by classification societies.
26	881191	X	Cable union		7,5-10,5mm, PR 18,6
	844576	X	Cable union		9,5-12,0mm, PR 18,6
27	881192	X	Cable union		12,5-15,0mm, PR 22,5
28	872939	1	Adapter, electr box-altern-starter	SO	
29	862885	1	Reducer sleeve		
30	873711	1	Cable kit		
31	952637	2	Clamp		
32	956093	2	Screw		
33	949278	2	Lock nut		
34	881661	1	Electronic unit, converter		
35	873712	5	Fuse		
36		X	Cables and terminals	1963	
37	874279	1	Sender, converter		
38		1	Cover		