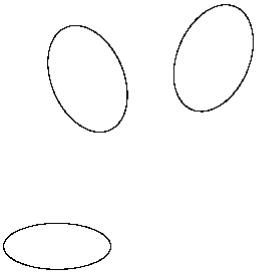
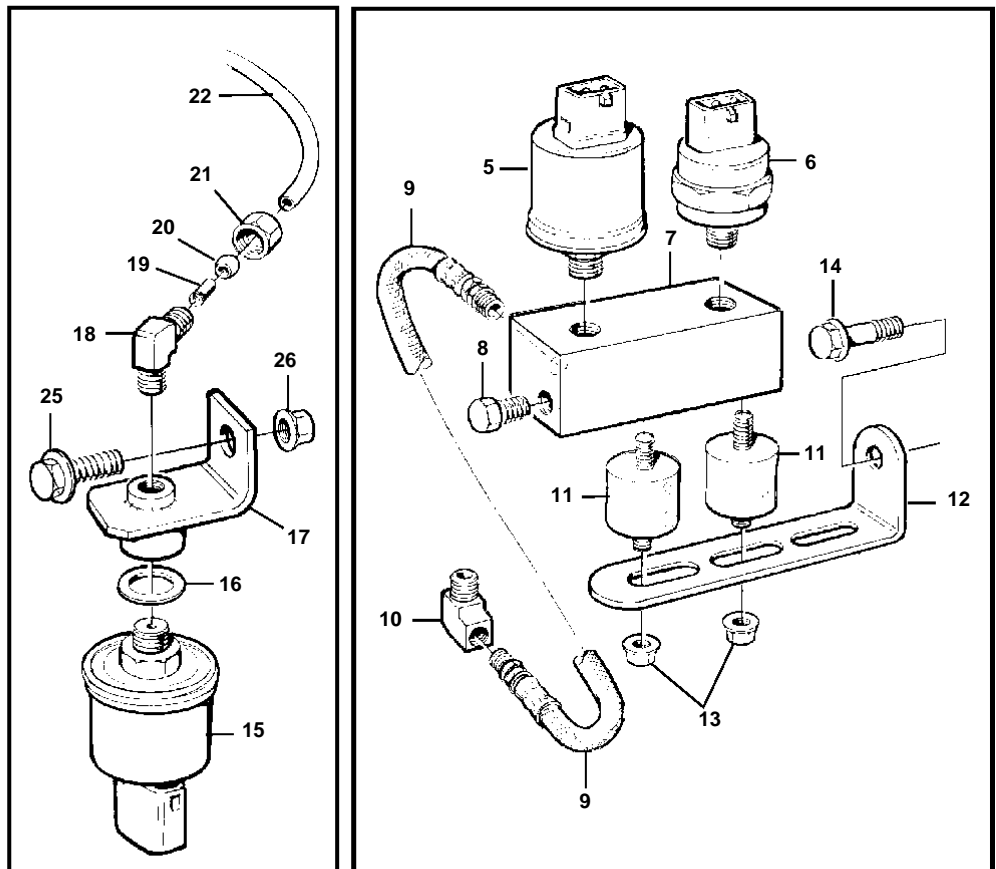
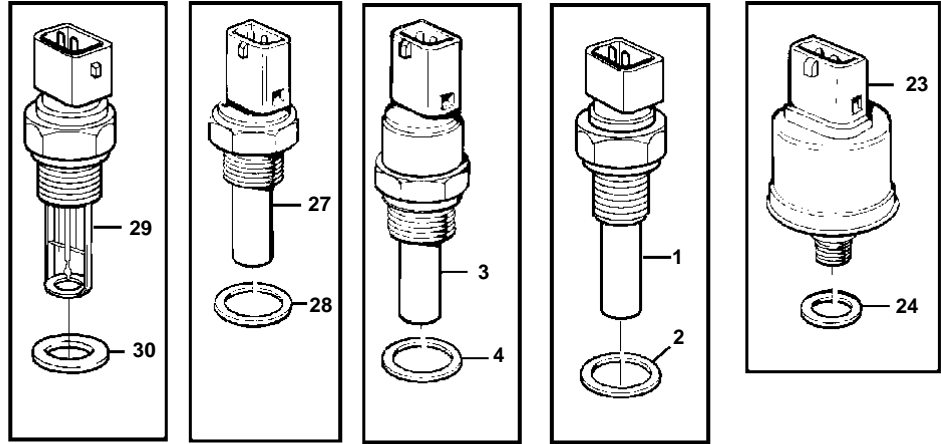


TAMD74C-A, TAMD74L-A, TAMD74P-A, TAMD74A AUX



18234

TAMD74C-A, TAMD74L-A, TAMD74P-A, TAMD74A AUX

REF	PART NO.	QTY	DESCRIPTION	NOTES
1	862154	1	Temperature sensor, coolant water	12V/24V, 120°C, M18. For singel instrument.
	862567	1	Temperature sensor, coolant water	12V/24V, 120°C, M18. For double instruments.
2	11998	1	Gasket	(947624)
3	862250	1	Thermo monitor, coolant water	12V/24V, 97°C
4	947624	1	Gasket	
5	866835	1	Pressure sensor, oil-engine	0-10bar
	866836	1	Pressure sensor, oil-engine	0-10bar. For double instruments.
6	863169	1	Pressure monitor	0,7bar
7	866704	1	Bracket	
8	479979	1	Plug	
9	334175	1	Hose	
10	180110	1	Elbow nipple	
11	3574797	2	Rubber cushion	
12	965561	1	Bracket	
13	949278	2	Lock nut	
14	946440	1	Flange screw	
15	866837	1	Pressure sensor, turbo	0-3bar
16	11998	1	Gasket	(947624)
17	843698	1	Bracket	
18	954385	1	Elbow nipple	
19	944717	1	Sleeve	
20	954364	1	Fitting	
21	954356	1	Cap nut	
22	945460	1	Plastic pipe	L=500mm
23	866839	1	Pressure sensor, reverse gear	0-30bar
24	947624	1	Gasket	
25	967949	1	Screw	
26	949278	1	Lock nut	
27	1624368	1	Temperature sensor, coolant water	M16. For EDC unit.
28	947622	1	Gasket	
29	8141474	1	Temperature sensor, air inlet	
30	947624	1	Gasket	