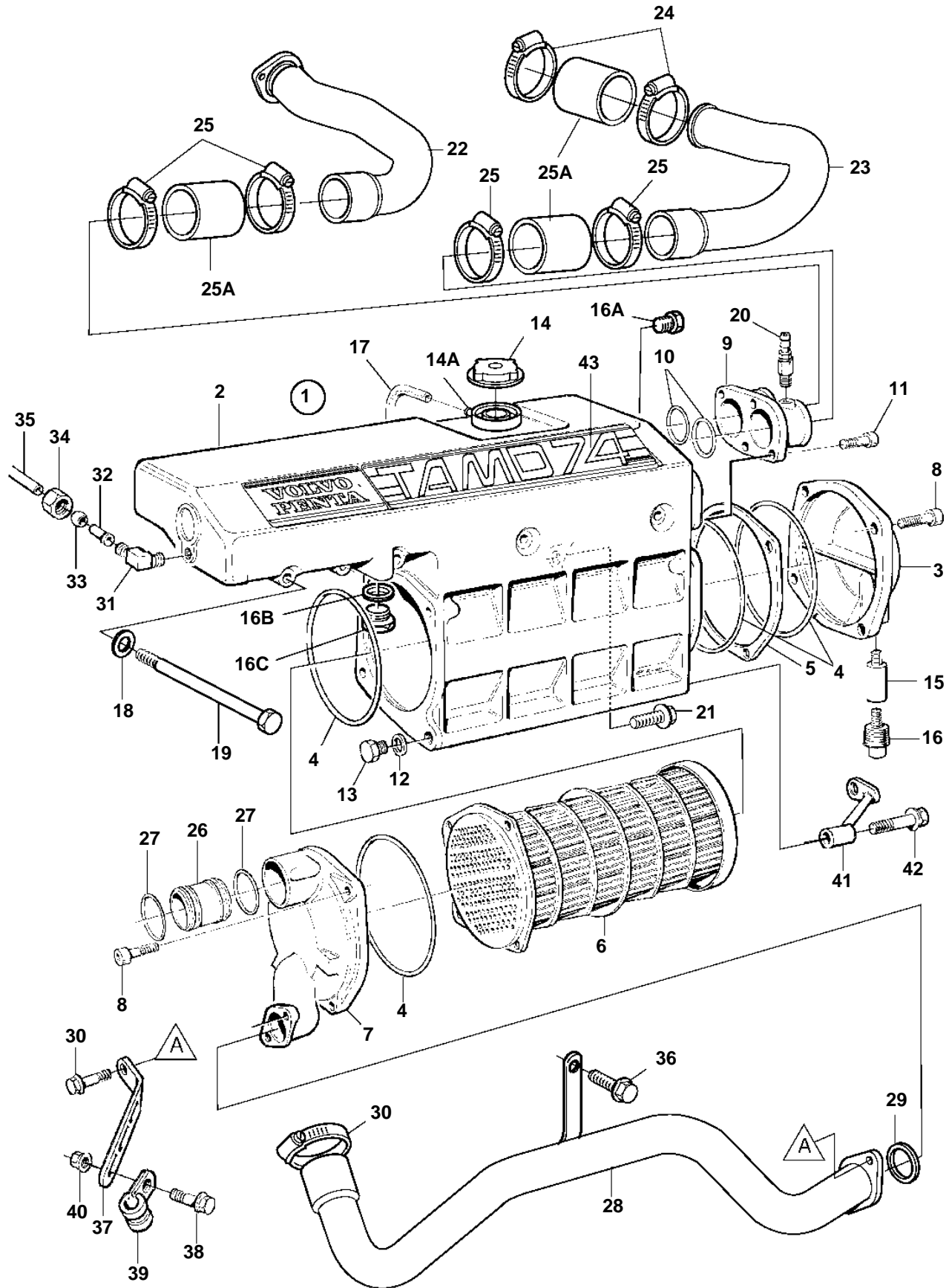


TAMD74A-A, TAMD74A-B



TAMD74A-A, TAMD74A-B

REF	PART NO.	QTY	DESCRIPTION	NOTES
1	3826339	1	Heat exchanger	REPL BY 3828574
2	3826787	1	Heat exchanger housi	
3	3826789	1	End plate	
4	3826783	4	· O-ring	
5	3826782	1	· Spacer	
6	3826790	1	· Heat exchanger eleme	
7	3826788	1	· End plate	
8	959224	8	· Screw	
9	866592	1	· Hose connection	
10	125362	2	· O-ring	
11	959222	4	· Screw	
12	907132	1	· Gasket	
13	960628	1	· Plug	
14	1674083	1	· Pressure cap	
14A	3828863	1	· Rubber collar	
15	838929	1	· Zinc anod	
16	838928	1	· Plug	
17	192618	1	Hose	L=800mm
18	191172	5	Washer	
19	980359	5	Screw	L=220mm
20	966871	2	Tap	
21	947760	1	Flange screw	
22	3829733	1	Coolant pipe	Thermostat housing-heat exchanger.
23	3829735	1	Coolant pipe	Heat exchanger-water pump.
24	961672	2	Clamp	
25	961673	4	Clamp	
25A	943371	X	Hose	L=80mm
26	866594	1	Intermediate section	
27	866690	2	O-ring	
28	3832650	1	Coolant pipe	Heat exchanger-oil cooler.
29	864491	1	Gasket	
30	945444	2	Flange screw	
31	954385	1	Elbow nipple	
32	944717	1	Sleeve	
33	954364	1	Fitting	
34	954356	1	Cap nut	
35	945460	1	Plastic pipe	L=1110mm
36	965187	1	Screw	
37	965577	1	Bracket	
38	946544	1	Flange screw	
39	952627	1	Clamp	
40	945407	1	Flange nut	
41	3826392	1	Stay	
42	965180	1	Flange screw	
43	3830245	1	Decal	TAMD74