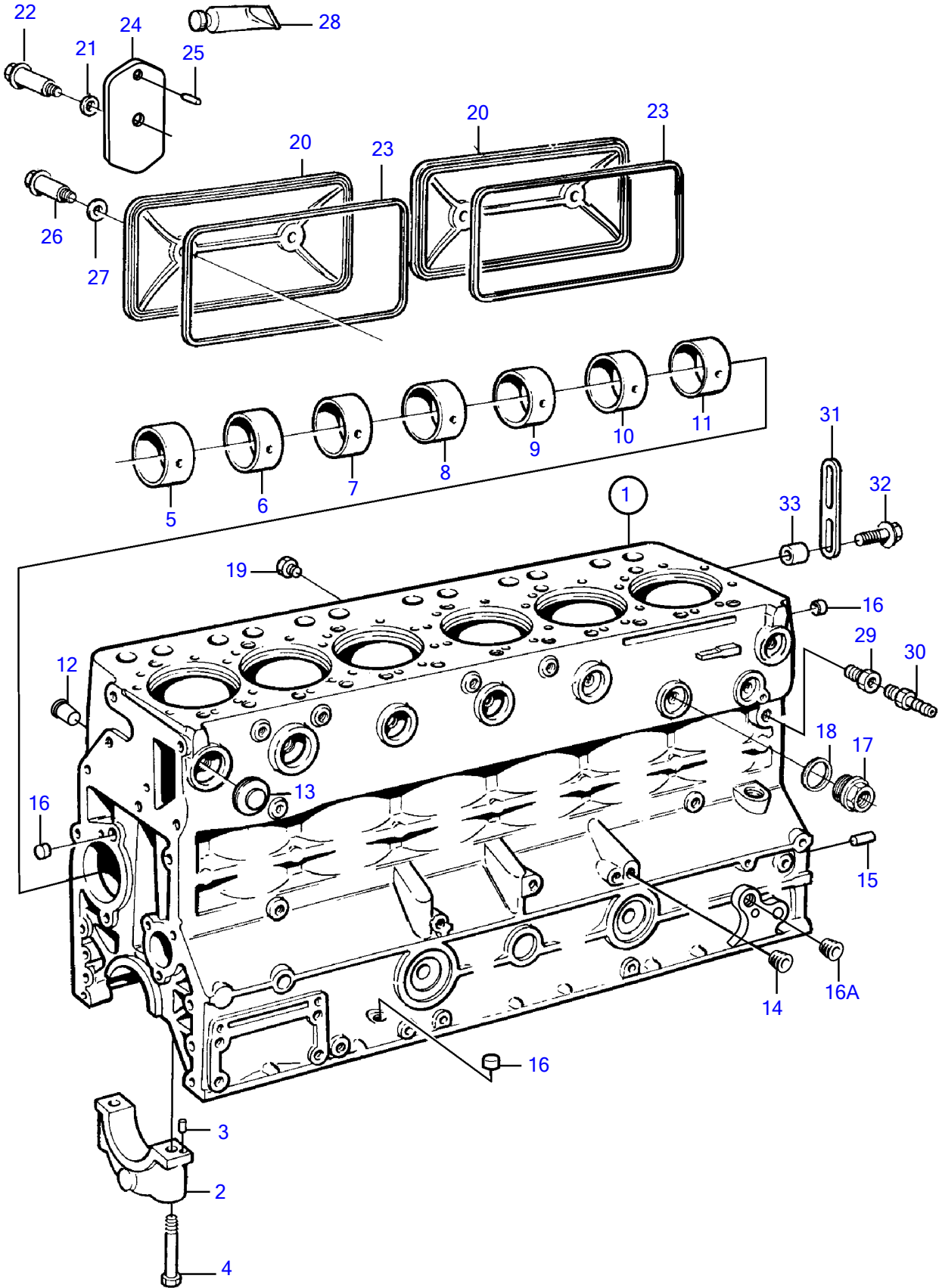


TAMD74A-A, TAMD74A-B, TAMD74C-A, TAMD74C-B, TAMD74L-A, TAMD74L-B, TAMD74P-A, TAMD74P-B, TAMD75P-A



TAMD74A-A, TAMD74A-B, TAMD74C-A, TAMD74C-B, TAMD74L-A, TAMD74L-B, TAMD74P-A, TAMD74P-B, TAMD75P-A

REF	PART NO.	QTY	DESCRIPTION	NOTES
1	8192730	1	Cylinder block	
2		7	• Main bearing cap	
3	422426	1	• Pivot pin	
4	8192738	14	• Screw	
5	422076	1	• Bushing	
6	8192676	1	• Bushing	
7	8192677	1	• Bushing	
8	8192678	1	• Bushing	
9	422077	1	• Bushing	
10	8192679	1	• Bushing	
11	422082	1	• Bushing	
12	422369	2	• Plug	
13	968955	6	• Expansion plug	
14	968145	1	• Plug	3/8-NPTF
15	191171	2	• Pin, flywheel cover	
16	955082	6	• Cap plug	
	955082	2	Cap plug	
16A	968062	1	Plug	M14
17	848565	1	Nipple, cool. water pipe	See group 25
18	469328	1	Gasket	
19	479976	1	Plug, cool. water pipe	3/8NPTFx14,5 (946559)
	968063	2	Plug	M16
20	420120	1	Inspection cover	
21	944364	1	O-ring	
22	946329	1	Flange screw	
23	20591544	2	Gasket	(421121)
24	471854	1	Cover	
25	951973	1	Spring pin	
26	471855	4	Screw	
27	471856	4	Sealing ring	
28	1161231	X	Sealant	304ml
	1161277	X	Sealant	20g
29	479954	1	Nipple	
30	949918	1	Shut-off cock	
31		1	Lifting eye	
32	965225	2	Flange screw	
33	847237	1	Spacer sleeve	