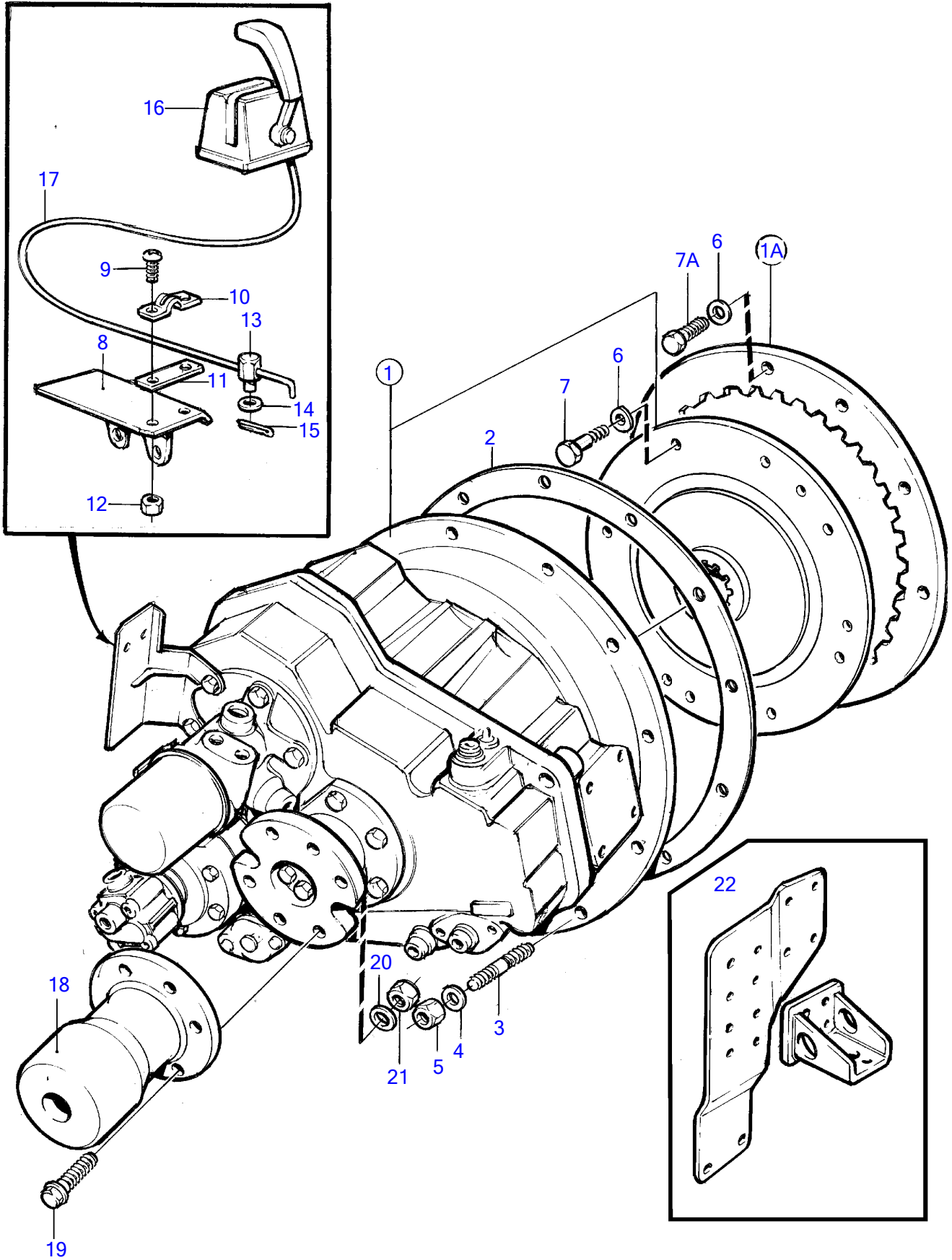


TAMD72P-A



## TAMD72P-A

REF	PART NO.	QTY	DESCRIPTION	NOTES
1		1	Reversing gear	Ratio 1.51:1,2.00:1
			• parts not sold separately	
1A		1	• Drive ring	Early type
1			• parts not sold separately	
2	862623	1	Gasket	
3	953486	12	Stud	
4	942336	12	Spring washer	
5	955827	12	Hexagon nut	
6	942336	8	Spring washer	
7	956582	8	Hex. socket screw	
7A	956588	8	Hex. socket screw	
8		1	Bracket	
9	956079	2	Cross recessed screw	
10	21471054	1	Bracket	For control cable 333, 33C.
	6853782	1	Cable clamp	For control cable 443, 43C.
11	819068	1	Washer	
12	963104	2	Lock nut	
13	853217	1	Cube	
14	940191	1	Washer	
15	17253	1	Split pin	
16		1	Control	See group 27
17		1	Control cable	See group 27
18	842106	1	Companion flange	
19	955739	6	Hexagon screw	
20	941912	6	Spring washer	
21	950378	6	Lock nut	
22		2	Engine suspension	See group 21