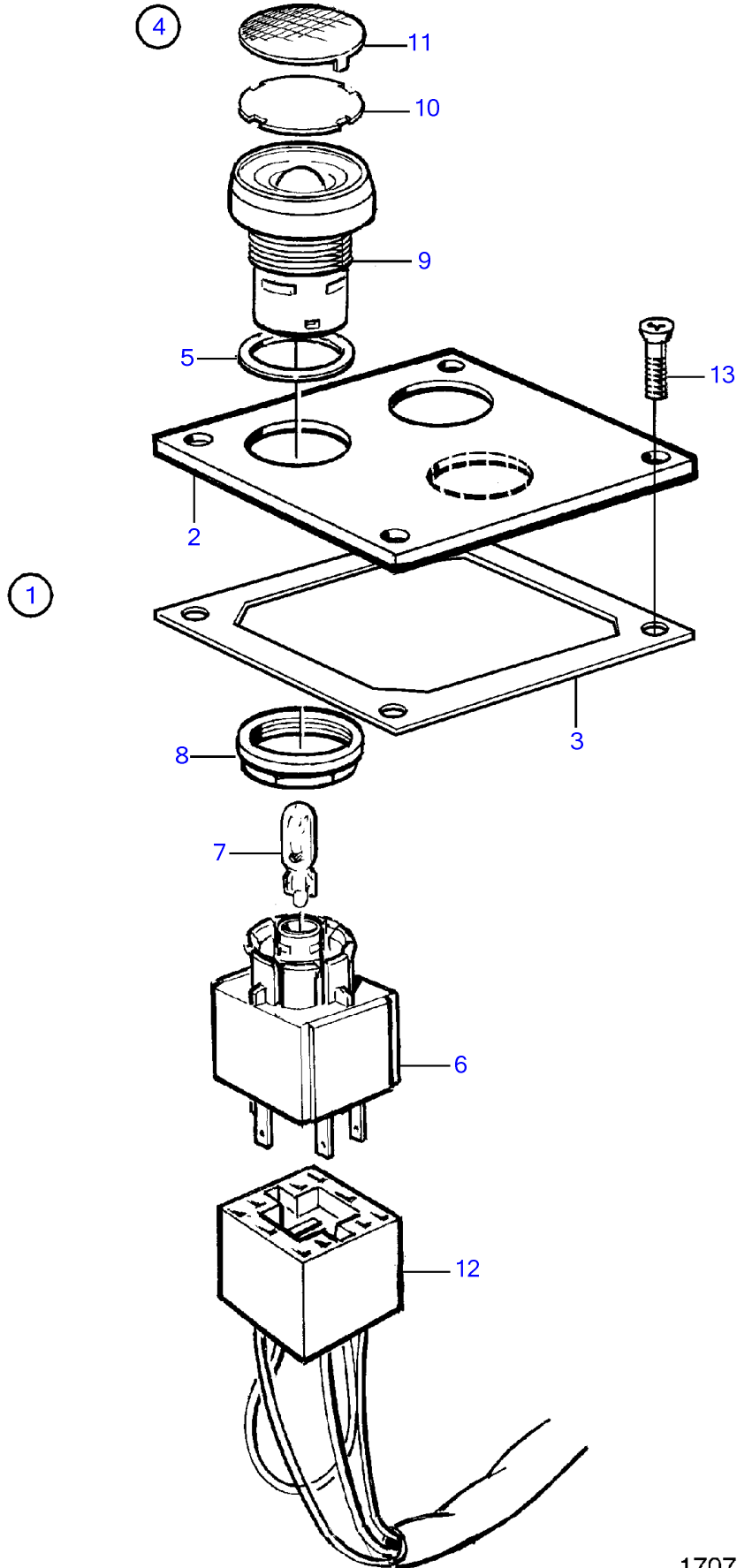


TAMD72P-A, TAMD72WJ-A



TAMD72P-A, TAMD72WJ-A

REF	PART NO.	QTY	DESCRIPTION	NOTES
1		1	Control panel	For two or more stations., 3 hole
2	873650	1	• Plate	
3	873643	1	• Gasket	
4	876950	3	• Push button kit	12V, 1,2W
5		3	• • Gasket	
6		3	• • Connector unit	
7	942327	3	• • Bulb	Green
	966327	3	• • Bulb	Yellow
8		3	• • Attaching ring	Red
9		3	• • Button	
10		18	• • Symbol strip	
11		3	• • Cover plate	Green
		3	• • Cover plate	Yellow
		3	• • Cover plate	Red
		3	• • Cover plate	Blue
12	873629	1	• Wiring harness	
13	828647	4	• Screw	