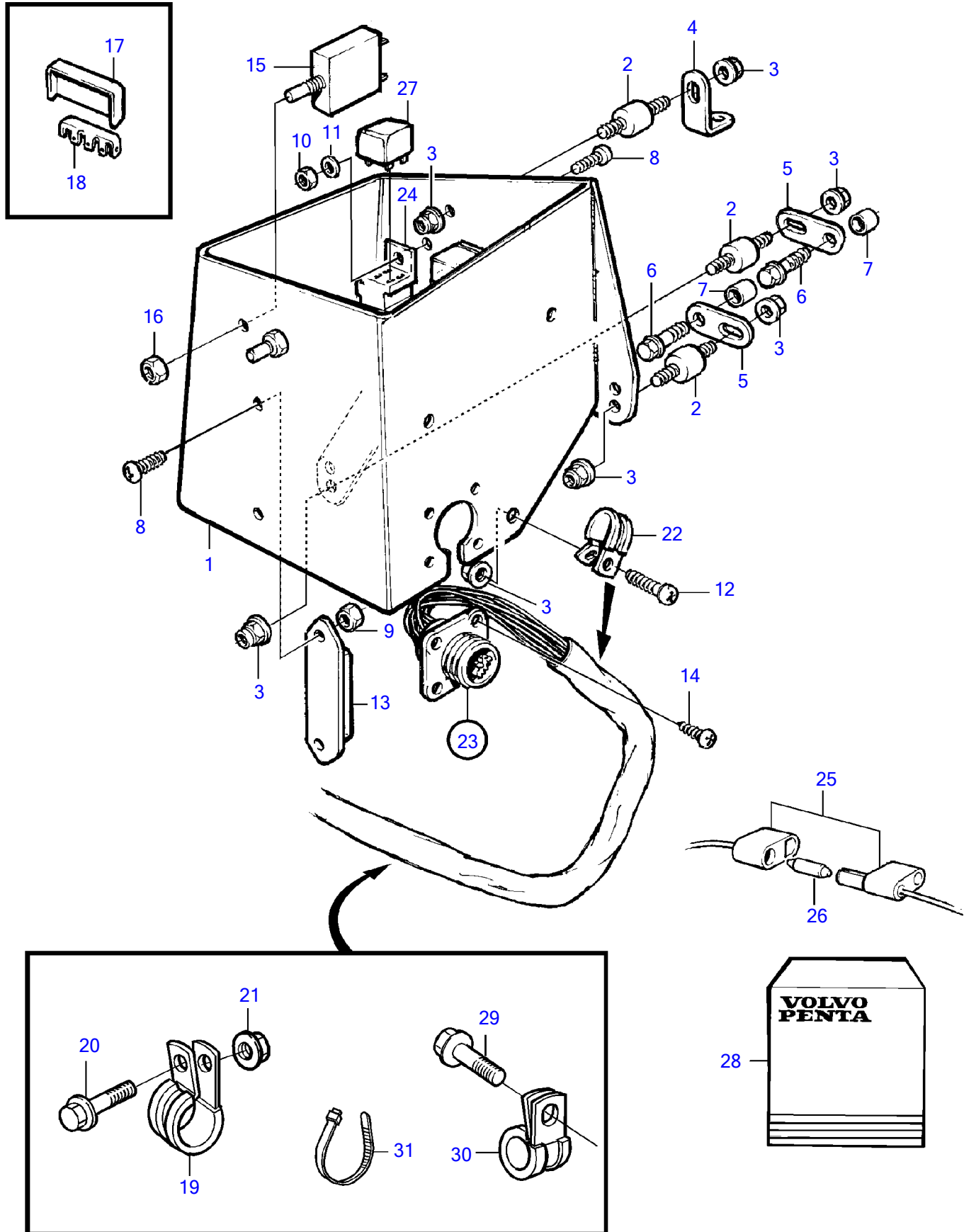


TAMD72WJ-A



TAMD72WJ-A

REF	PART NO.	QTY	DESCRIPTION	NOTES
1	866128	1	Cover	Included in kit 876679.
2	3574797	3	Vibration damper	Included in kit 876679.
3	945407	7	Flange nut	Included in kit 876679., M6
4	965555	1	Bracket	Included in kit 876679.
5	965534	2	Bracket	Included in kit 876679.
6	948217	2	Flange screw	Included in kit 876679.
7	821539	2	Spacer sleeve	Included in kit 876679.
8	(956075)	4	Cross recessed screw	Included in kit 876679., M5x10mm, Obsolete part
9	965483	2	Flange nut	Included in kit 876679., M5
10	955780	2	Hexagon nut	Included in kit 876679., M5
11	941905	4	Spring washer	Included in kit 876679.
12	967390	1	Cross recessed screw	Included in kit 876679., M6x12mm
13	1234048	1	Bottom section	Included in kit 876679.
14	945761	4	Cross recessed screw	Included in kit 876679.
15	966689	2	Fuse	
16		2	• Nut	
17	9162425	1	Upper section	(1234264)
18	1234263	1	Pin	
19	949747	1	Clamp	
20	946440	1	Flange screw	
21	955781	1	Hexagon nut	
22	952630	1	Clamp	
23	862860	1	Cable trunk	
24	977184	2	• Housing	
25	966334	1	• Fuse holder	
26	942785	1	Fuse	12V, 16A
	11433	1	Fuse	24V, 8A
27	876039	2	Relay kit	12V, Start-Stop
	9518230	1	Relay	24V, Start-Stop, (1504951)
28	876679	1	Conversion kit	
29	967949	2	Flange screw	
30	952635	2	Clamp	
31	948211	X	Cable tie	