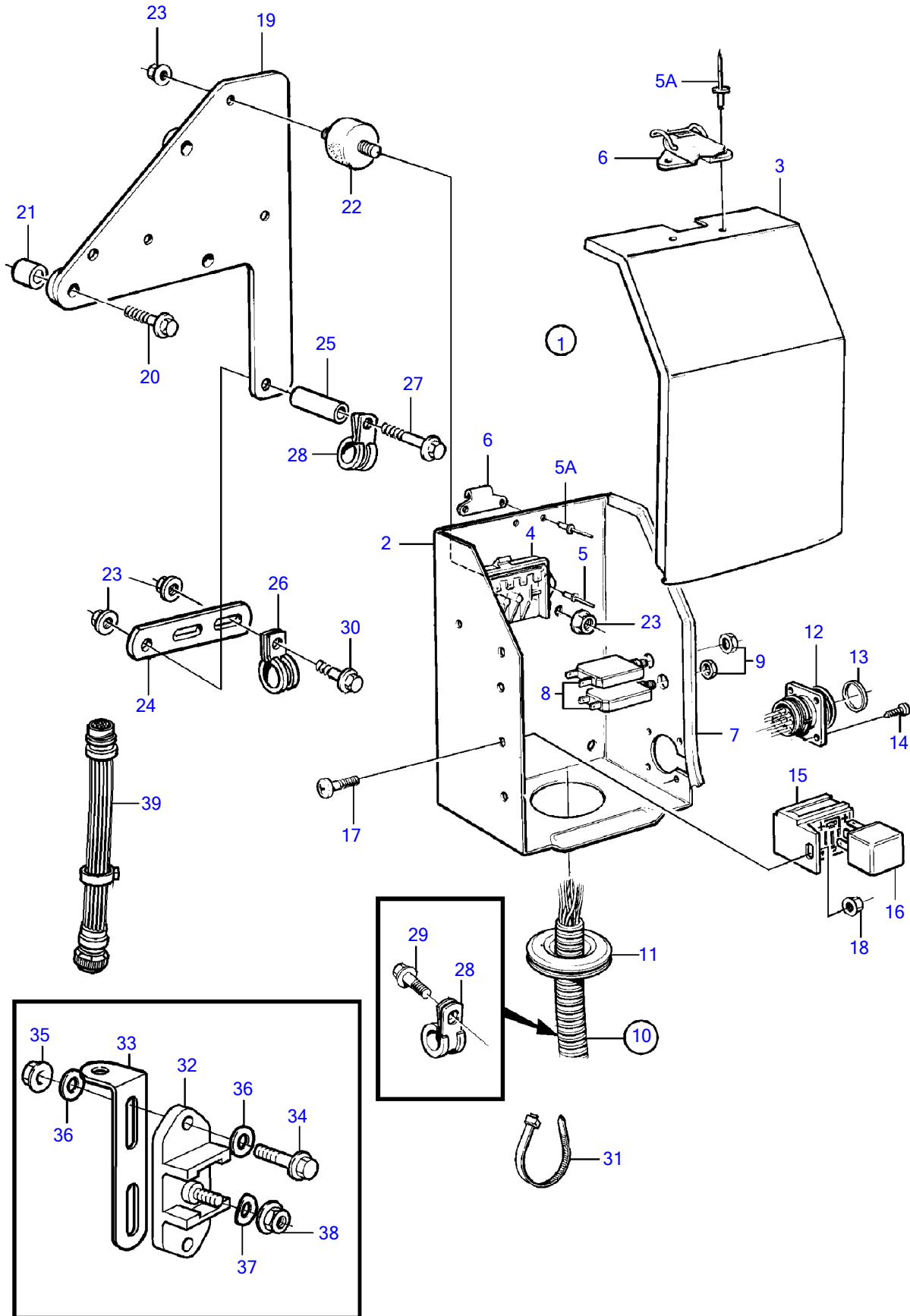


TAMD72P-A



## TAMD72P-A

REF	PART NO.	QTY	DESCRIPTION	NOTES
1	(3825254)	1	Electrical distribut	Obsolete part
2		1	• Box	
3	(3825253)	1	• Cardboard tube	Obsolete part
4	1234048	1	• Bottom section	
5	942670	2	• Blind rivet	
5A	965592	4	• Blind rivet	
6	3825257	1	• Snap lock	
7	(1214306)	1	• Stop dog	Obsolete part
8	966689	2	Fuse	
9		2	• Nut	
10	873620	1	Wiring harness	
11	943920	1	• Plug	
12	846611	1	• Housing, instrument panel	
13	846615	1	• Sealing ring	
14	945761	4	Cross recessed screw	
15	977184	2	Housing	
16	873765	3	Relay	12V
	9518230	3	Relay	24V
17	(956075)	3	Cross recessed screw	(967378), Obsolete part
18	965483	3	Flange nut	
19	866694	1	Bracket	
20	946470	3	Flange screw	
21	845589	3	Spacer sleeve	
22	3574797	3	Vibration damper	
23	949278	9	Flange lock nut	M6
24	965540	1	Bracket	
25	848229	1	Spacer sleeve	
26	949747	2	Clamp	
27	965177	1	Flange screw	M6
28	947827	2	Clamp	
	952635	2	Clamp	
29	946440	1	Flange screw	M8
	945414	2	Flange screw	M6
30	945414	2	Flange screw	M6
31	948211	5	Cable tie	
32	6776926	2	Terminal block	M6 connecting, only 12V engines
33	965558	2	Bracket	Only 12V engines., L=80mm
34	965200	4	Flange screw	Only 12V engines., M5x16
35	949874	4	Flange lock nut	Only 12V engines., M5
36	960140	8	Washer	Only 12V engines.
37	941906	2	Spring washer	Only 12V engines.
38	945407	2	Flange nut	Only 12V engines., M6
39	873689	1	Cable kit	This cable kit is needed for the connection of EDC-system to an instrument panel or instrument panel kit.