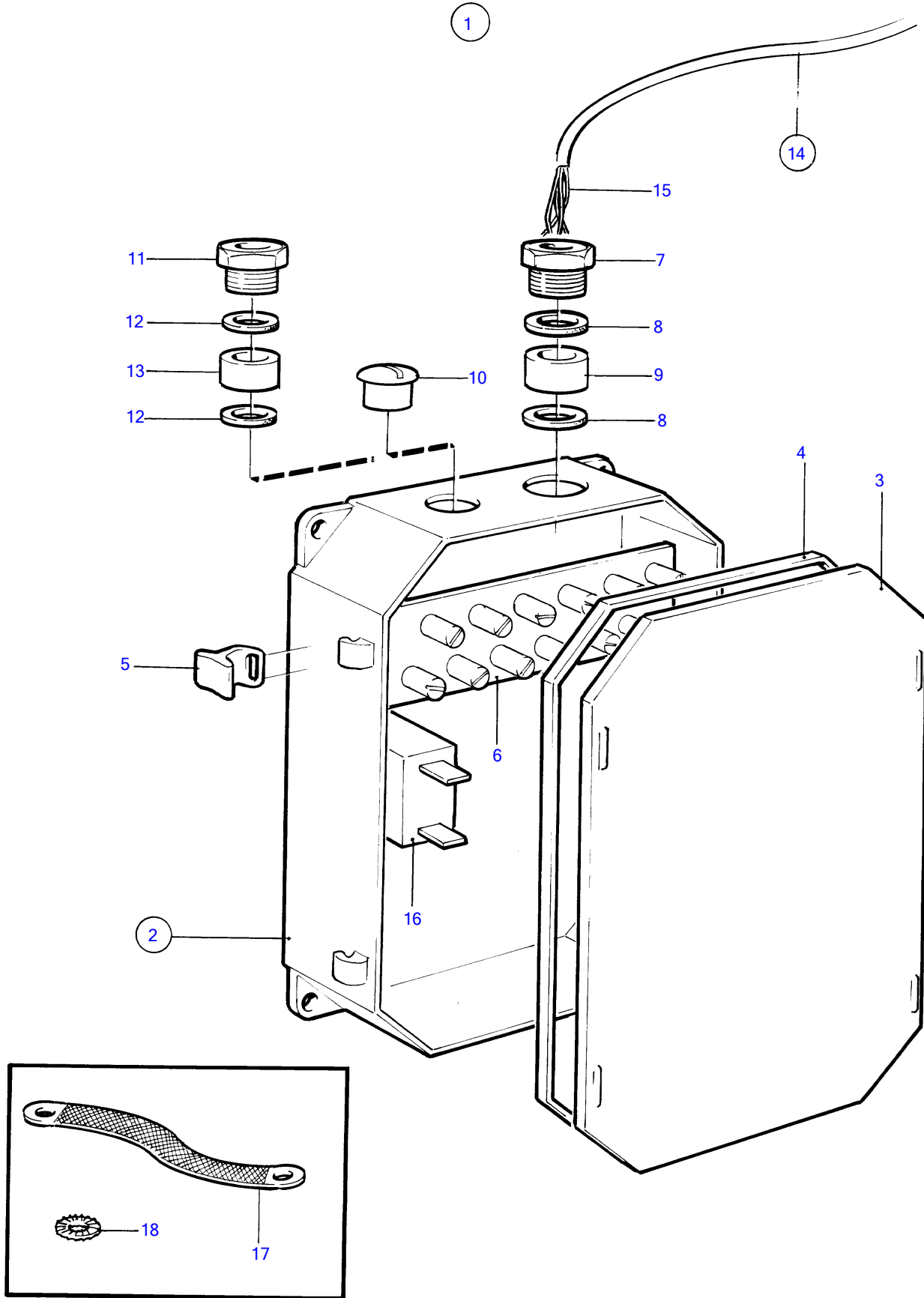


TAMD72P-A, TAMD72WJ-A



TAMD72P-A, TAMD72WJ-A

| REF | PART NO.  | QTY | DESCRIPTION              | SEE SEC. | NOTES  |
|-----|-----------|-----|--------------------------|----------|--|
| 1   | (838419)  | 1   | Cable trunk              |          | For instrument panel not made by Volvo Penta., Obsolete part |
| 2   | (847078)  | 1   | • Clutch housing         |          | Obsolete part  |
| 3   | 847077    | 1   | • • Cardboard tube       |          |  |
| 4   | (1582940) | 1   | • • Gasket               |          | Obsolete part  |
| 5   | (1504888) | 4   | • • Latch                |          | Obsolete part  |
| 6   | (1582941) | 2   | • • Current bar          |          | Obsolete part  |
| 7   | (1585425) | 1   | • • Grommet              |          | Obsolete part  |
| 8   | (1585452) | 2   | • • Gasket               |          | Obsolete part  |
| 9   | (1585435) | 1   | • • Washer               |          | Obsolete part  |
| 10  | (843902)  | 3   | • • Plug                 |          | Obsolete part  |
| 11  | (1585424) | 3   | • Grommet                |          | Obsolete part  |
| 12  | (1585432) | 6   | • Washer                 |          | Obsolete part  |
| 13  | 1585449   | 3   | • Gasket                 |          |  |
| 14  |           | X   | • Cable trunk            |          |  |
| 15  |           | X   | • • cables and terminals | 1963     |  |