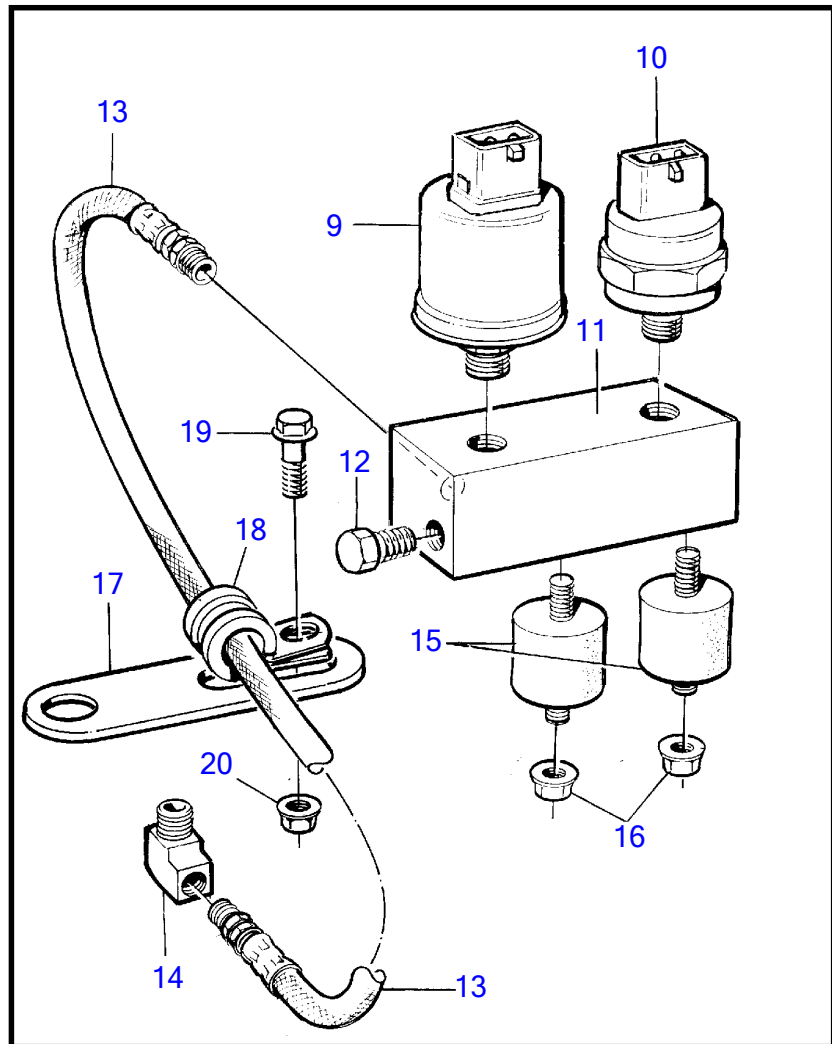
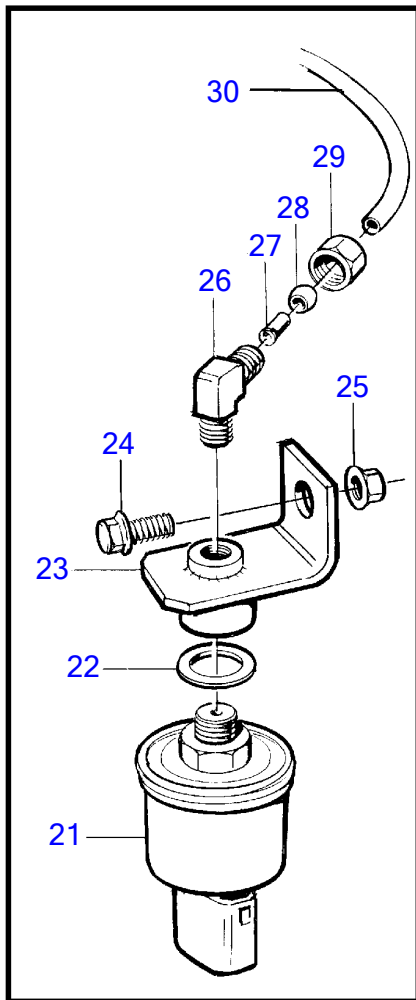
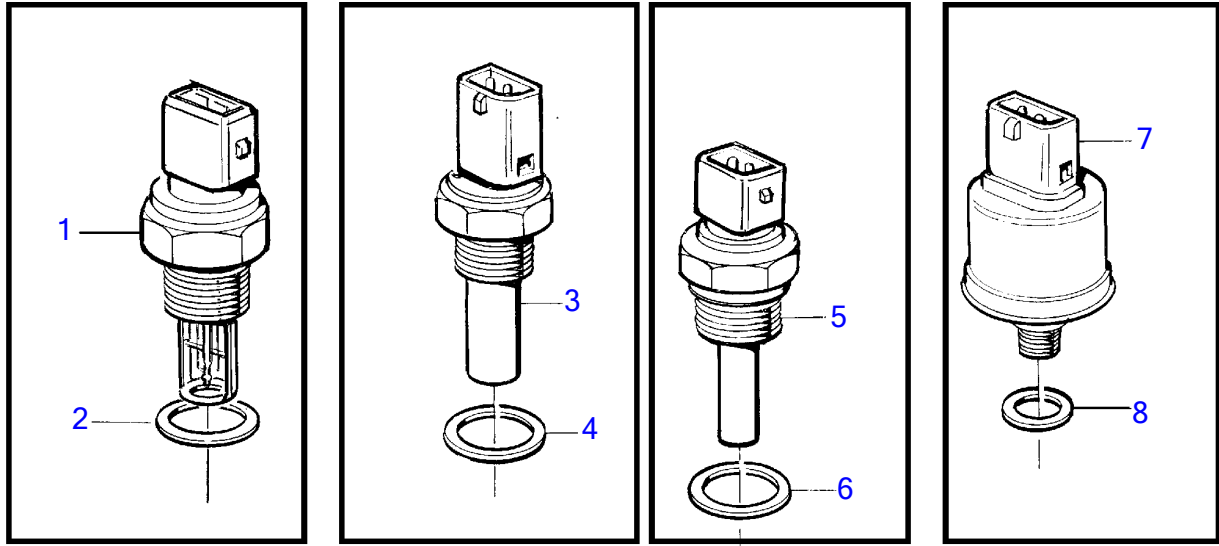


TAMD72P-A



TAMD72P-A

REF	PART NO.	QTY	DESCRIPTION	SEE SEC.	NOTES
1	8141474	1	Temperature sensor, air inlet		
2	947624	2	Gasket		
3	1624368	1	Sensor, coolant water		For EDC unit., M16
4	947622	1	Gasket		
5	862154	1	Temperature sensor, coolant water		For single instrument., 12/24V, 120°C, M18
	862567	1	Temperature sensor, coolant water		For double instruments., 12/24V, 120°C, M18
6	11998	1	Gasket		(947624)
7	866839	1	Sensor, reverse gear		0-30bar
8	947624	1	Gasket		
9	866835	1	Sensor, oil-engine		0-10BAR
			• Bulletin P-38-6-1	P-38-6-1-EN	Vibration Damping Kit
9	866836	1	Sensor, oil-engine		For double instruments., 0-10BAR
10	863169	1	Pressure monitor		0,7bar
11	866704	1	Bracket		
12	479979	2	Plug		
13	334175	1	Hose assembly		
14	180110	1	Elbow nipple		
15	3574797	2	Vibration damper		
16	949278	2	Flange lock nut		
17	965534	1	Bracket		
18	952627	1	Clamp		
19	946544	1	Flange screw		
20	949278	1	Flange lock nut		
21	866837	1	Sensor, turbo		0-3bar
22	947624	1	Gasket		
23	843698	1	Bracket		
24	965175	1	Flange screw		
25	949278	1	Flange lock nut		
26	954385	1	Elbow nipple		
27	944717	1	Support sleeve		
28	954364	1	Sleeve		
29	954356	1	Fitting nut		
30	945460	1	Tube		L=500mm