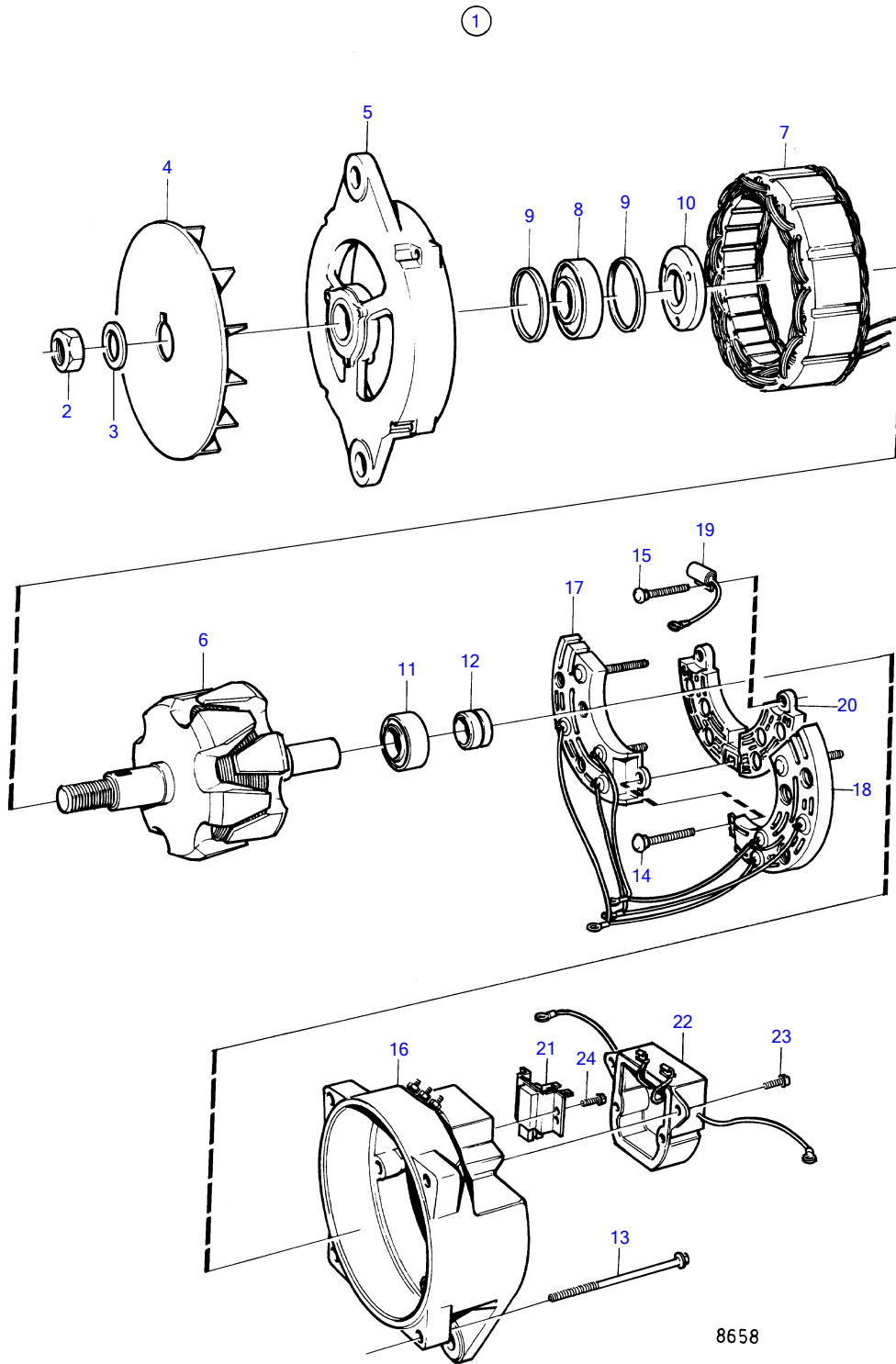


TAMD72P-A, TAMD72WJ-A



8658

TAMD72P-A, TAMD72WJ-A

| REF | PART NO. | QTY | DESCRIPTION | NOTES |
|-----|----------|-----|-------------------|--------------------|
| 1 | 849747 | 1 | Alternator | 14V, 130A |
| | 3803577 | 1 | Alternator, exch | 14V, 130A |
| 2 | | 1 | • Nut | |
| 3 | | 1 | • Washer | |
| 4 | | 1 | • Fan | |
| 5 | | 1 | • End plate | |
| 6 | (862528) | 1 | • Rotor | Obsolete part |
| 7 | (862529) | 1 | • Stator | Obsolete part |
| 8 | 862509 | 1 | • Bearing | |
| 9 | (862532) | 2 | • Seal | Obsolete part |
| 10 | | 1 | • Bearing carrier | |
| 11 | (862533) | 1 | • Bearing | Obsolete part |
| 12 | 862511 | 1 | • Slip ring | |
| 13 | | 4 | • Screw | |
| 14 | | 1 | • Screw | |
| 15 | | 1 | • Screw | |
| 16 | | 1 | • End plate | |
| 17 | (862534) | 1 | • Diode | Pos, Obsolete part |
| 18 | (862535) | 1 | • Rectifier diode | Neg, Obsolete part |
| 19 | | 1 | • Capacitor | |
| 20 | | 1 | • Insulator | |
| 21 | 862536 | 1 | • Brush set | |
| 22 | 862539 | 1 | • Governor | |
| 23 | | 4 | • Screw | |
| 24 | | 2 | • Screw | |