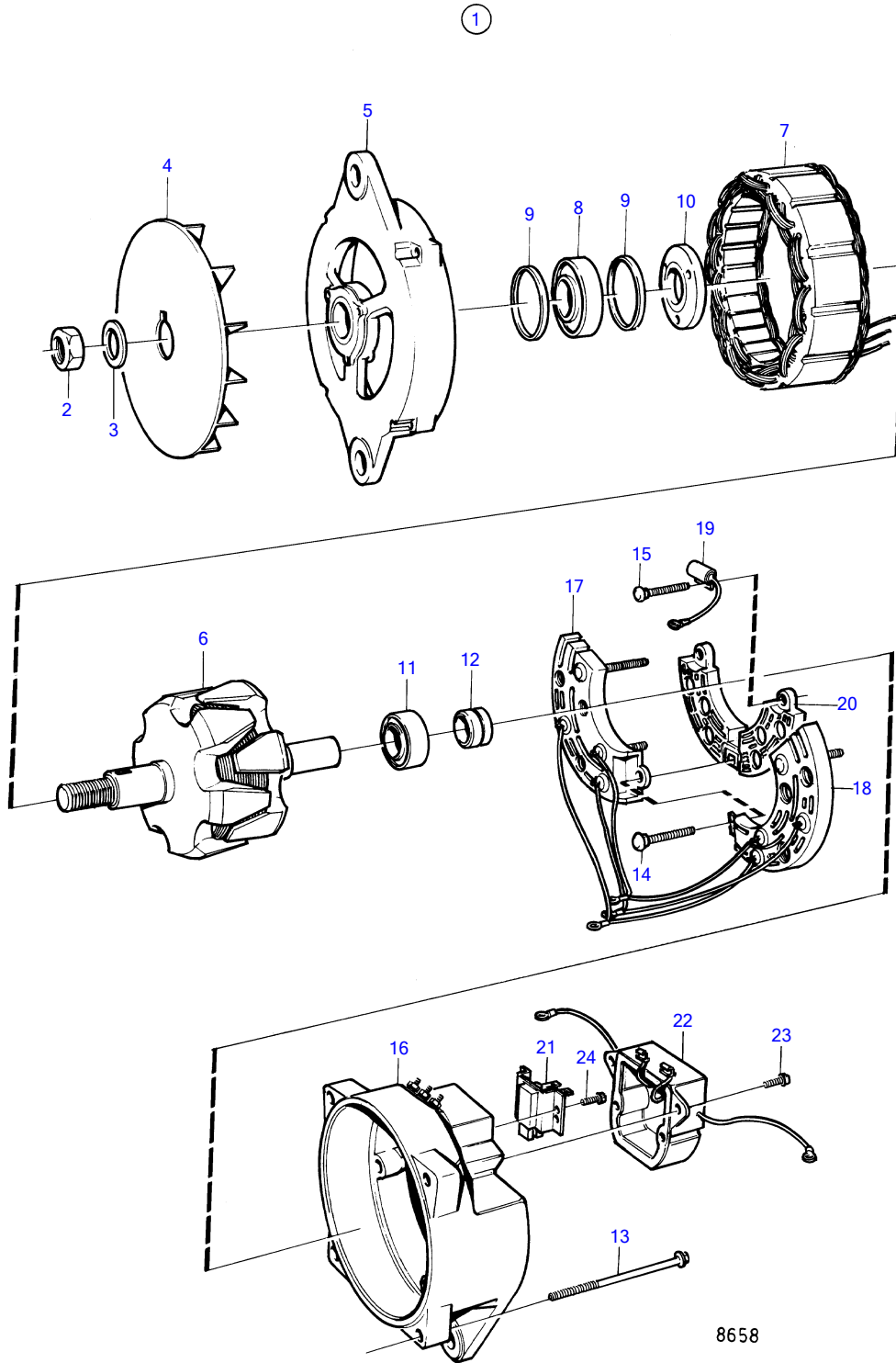


TAMD72P-A, TAMD72WJ-A



TAMD72P-A, TAMD72WJ-A

REF	PART NO.	QTY	DESCRIPTION	NOTES
1	849747	1	Alternator	14V, 130A
	3803577	1	Alternator, exch	14V, 130A
2		1	• Nut	
3		1	• Washer	
4		1	• Fan	
5		1	• End plate	
6	(862528)	1	• Rotor	Obsolete part
7	(862529)	1	• Stator	Obsolete part
8	862509	1	• Bearing	
9	(862532)	2	• Seal	Obsolete part
10		1	• Bearing carrier	
11	(862533)	1	• Bearing	Obsolete part
12	862511	1	• Slip ring	
13		4	• Screw	
14		1	• Screw	
15		1	• Screw	
16		1	• End plate	
17	(862534)	1	• Diode	Pos, Obsolete part
18	(862535)	1	• Rectifier diode	Neg, Obsolete part
19		1	• Capacitor	
20		1	• Insulator	
21	862536	1	• Brush set	
22	862539	1	• Governor	
23		4	• Screw	
24		2	• Screw	