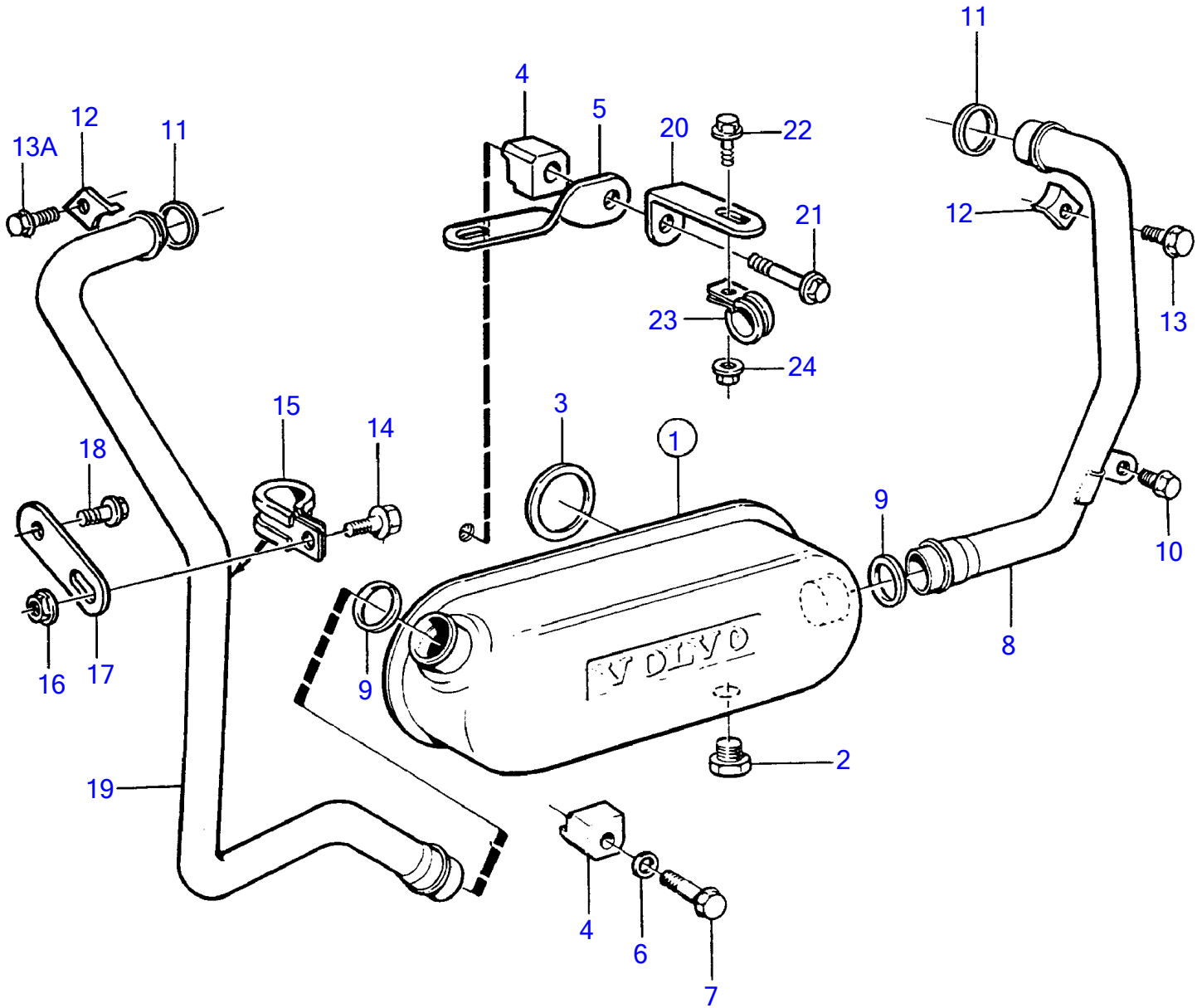


TAMD72P-A



15913

TAMD72P-A

REF	PART NO.	QTY	DESCRIPTION	NOTES
1	866539	1	Oil cooler	
2	180759	1	• Plug	
3	471467	2	Sealing ring	
4	471804	4	Retainer	
5	1136551	1	Anchorage	
6	941908	4	Spring washer	
7	965186	4	Flange screw	M10x50mm
8	864588	1	Water pipe	Cylinder block-oil cooler.
9	1543579	2	Sealing ring	
10	946441	1	Flange screw	M8x20mm
11	471637	2	Sealing ring	
12	421654	2	Clamp	
13	946440	1	Flange screw	L=16mm
13A	949846	1	Flange screw	Tapping screw.
14	946544	1	Flange screw	M6x16mm
15	952635	1	Clamp	
16	945407	1	Flange nut	M6
17	965538	1	Bracket	
18	946440	1	Flange screw	M8x16mm
19	864589	1	Water pipe	Thermostat housing-oil cooler.
20	965556	2	Bracket	M10x50mm
21	965186	2	Flange screw	
22	945414	2	Flange screw	M6x14
23	952635	2	Clamp	
24	949278	2	Flange lock nut	M6

7738900-26-2105

15913

Upd:2011-11-23

TAMD72P-A, TAMD72WJ-A

VOLVO
PENTA