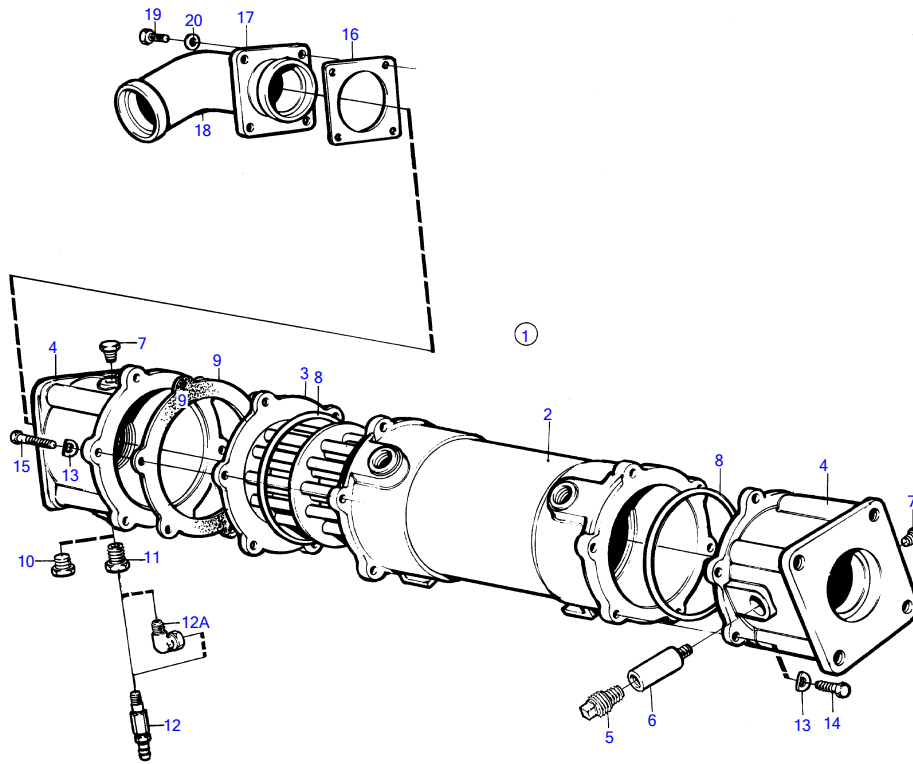


TAMD72P-A, TAMD72WJ-A



15562

TAMD72P-A, TAMD72WJ-A

REF	PART NO.	QTY	DESCRIPTION	NOTES
1		1	Oil cooler	Replaced by 862842
2	863259	1	• Housing	
3	3825938	1	• Insert	(864212)
4	848178	2	• Cardboard tube	
5	838928	1	• Plug	
6	838929	1	• Anode	
7	981749	5	• Plug	
8	806154	2	• Sealing ring	
9	862601	1	• Gasket	
10	479956	1	• Plug	Early type (192154)
11	479954	1	• Nipple	Late type (190130)
12	966871	1	• Shut-off cock	D=1/8, early type
	949918	1	• Shut-off cock	D=1/4, late type
13	949607	12	• Spring washer	
14	955272	6	• Hexagon screw	L=20mm
15	955274	6	• Hexagon screw	L=25mm
16	862592	1	• Gasket	
17	842029	1	• Flange	
18	848596	1	• Hose attachment	
19	970947	4	• Hexagon screw	
20	941908	4	• Spring washer	