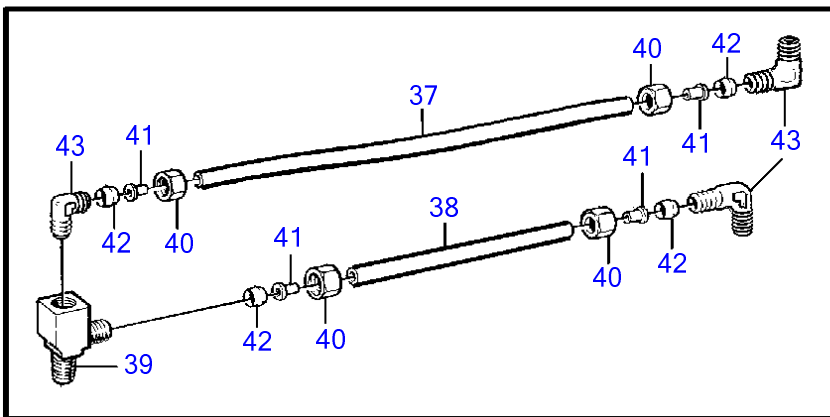
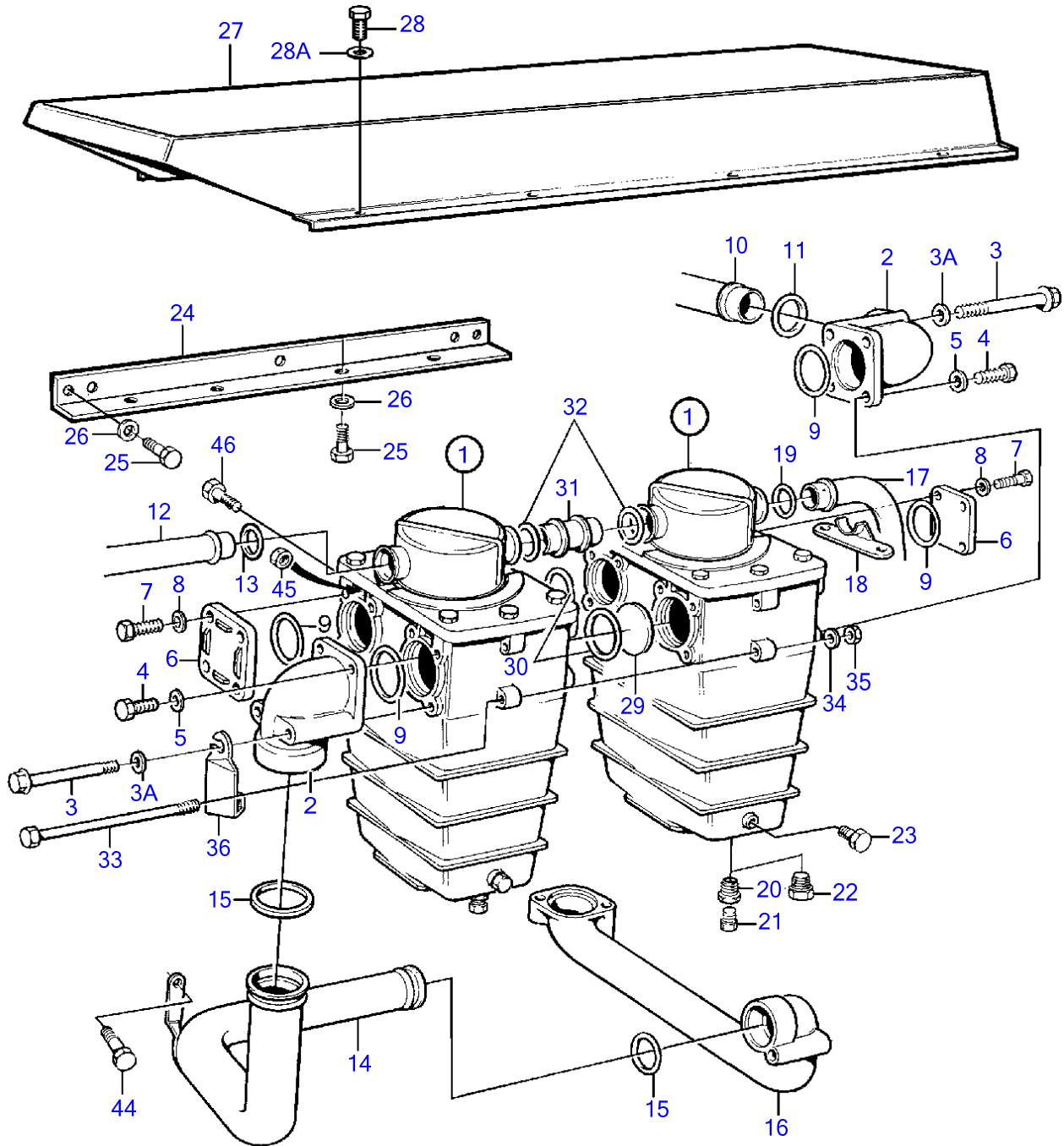


TAMD72P-A, TAMD72WJ-A



17057

## TAMD72P-A, TAMD72WJ-A

REF	PART NO.	QTY	DESCRIPTION	SEE SEC.	NOTES
1	864916	2	Heat exchanger, classifiable		As a spare part a classified heat exchanger is obtained., Replaced by 864916
			.	706	
2	471709	2	Connection pipe		
3	965183	4	Flange screw		(940129)
3A	11978	4	Washer		
4	946671	4	Flange screw		(940129)
5	941907	4	Spring washer		(940142)
6	847619	2	Cardboard tube		
7	946440	8	Flange screw		
8	941907	8	Spring washer		
9	925094	4	O-ring		
10	848481	1	Coolant pipe		Thermostat housing-heat exchanger.
11	864723	1	Sealing ring		
12	3827942	1	Coolant pipe		(864970)
13	466739	1	O-ring		
14	848477	1	Coolant pipe		
15	864723	2	Sealing ring		
16		1	Coolant pipe	3547	Heat exchanger-water pump.
17	3827943	1	Coolant pipe		Sea water pump-heat exchanger., (864971)
18	864918	2	Retainer		
19	466739	1	O-ring		
20	332262	2	Reduction nipple		Replaced by plug 3825335., TAMD72WJ-A
21	861551	2	Plug		Replaced by plug 3825335., TAMD72WJ-A (192134)
22	3825335	2	Plug		TAMD71B, 72WJ-A TAMD71B, 72WJ-A (192134)
	3825335	2	Plug		Late type, (978904)
23	981749	2	Plug		(191026)
24	848100	1	Bracket		
25	946173	6	Flange screw		M8x20mm
	955296	2	Hexagon screw		M8x22mm
26	941907	8	Spring washer		
	955894	1	Washer		
27	(849451)	1	Cover		Obtained only in green paint as a spare part., Obsolete part
28	967949	8	Flange screw		
28A	949607	8	Spring washer		
29	847618	1	Cardboard tube		
30	947663	2	O-ring		
31	3827941	1	Coolant pipe		(864969)
32	466739	2	O-ring		
33	968303	4	Hexagon screw		
34	941907	4	Spring washer		
35	946036	4	Lock nut		
36	849449	1	Bracket		
37	945460	X	Tube		L=145mm
38	945460	X	Tube		L=200mm
39	344286	1	T-nipple		
40	954356	4	Fitting nut		
41	944717	4	Support sleeve		
42	954364	4	Sleeve		
43	479958	3	Elbow nipple		(329638)
44	946440	1	Flange screw		
45	946036	4	Lock nut		M8x8,5mm
46	945444	4	Flange screw		M8x25mm