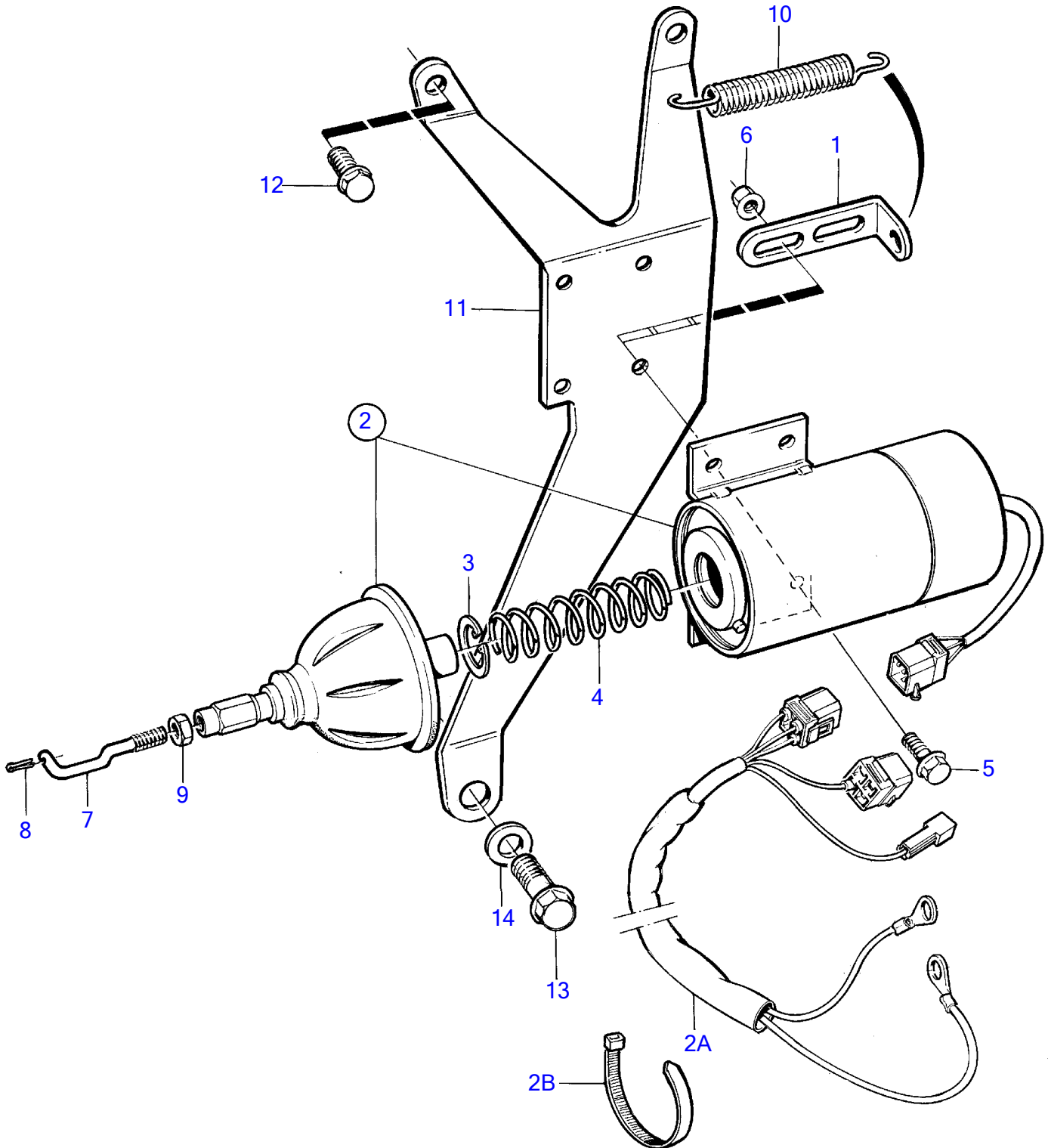


TAMD72WJ-A



TAMD72WJ-A

REF	PART NO.	QTY	DESCRIPTION	SEE SEC.	NOTES
1	965556	1	Bracket		
2	876592	1	Control magnet kit		12V, early type
	3826743	1	Actuator solenoid		12V, late type
	876593	1	Control magnet kit		24V, early type
	3826742	1	Actuator solenoid		24V, late type
2A	873638	1	Cable kit		Late type
2B	948211	1	Cable tie		
3	(969294)	1	Snap ring		Obsolete part
4	847009	1	Return spring		(843401)
5	946544	4	Flange screw		
6	945407	4	Flange nut		
7	865040	1	Pull rod		
8	17253	1	Split pin		
9	955782	1	Hexagon nut		
10	819809	1	Spring	2449	
11	865204	1	Bracket		
12	946440	2	Flange screw		
13	946471	1	Flange screw		See group 23
14	190509	1	Washer		See group 23