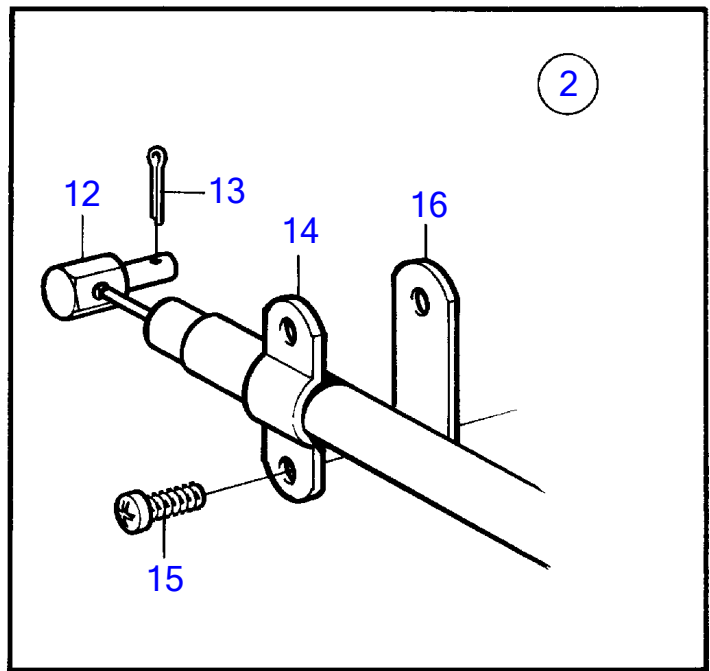
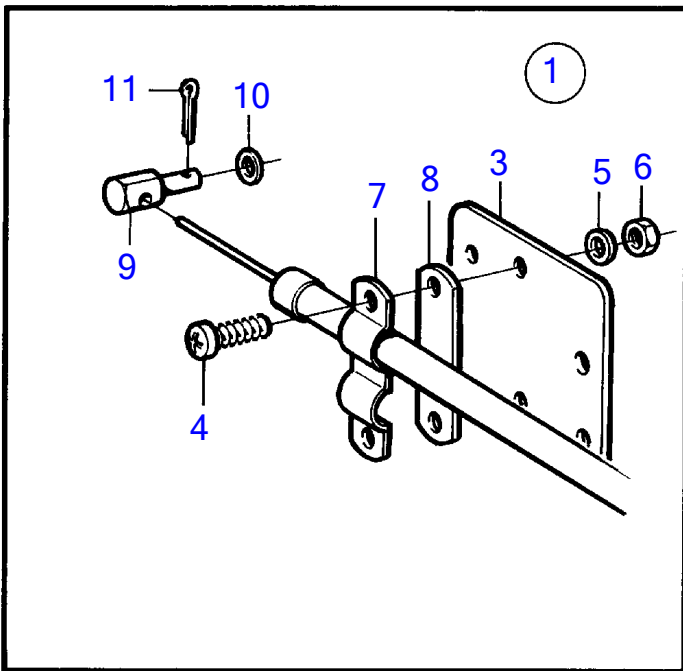
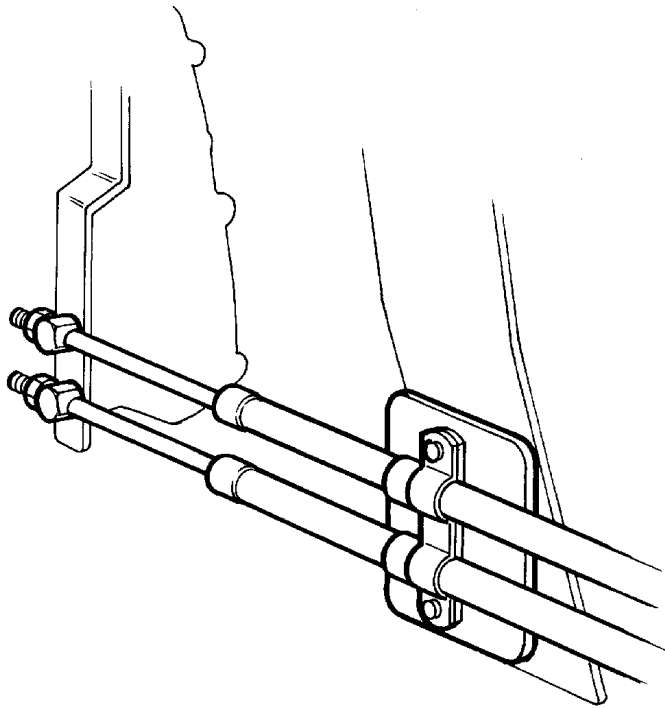


TAMD72P-A, TAMD72WJ-A



8745

TAMD72P-A, TAMD72WJ-A

REF	PART NO.	QTY	DESCRIPTION	NOTES
2	(853218)	1	Mounting kit	For control cable type 443., Obsolete part
12	853217	1	• Cube	
13	17276	1	• Split pin	
14	6853782	1	• Cable clamp	
15	950206	2	• Cross recessed screw	
16	819068	1	• Washer	