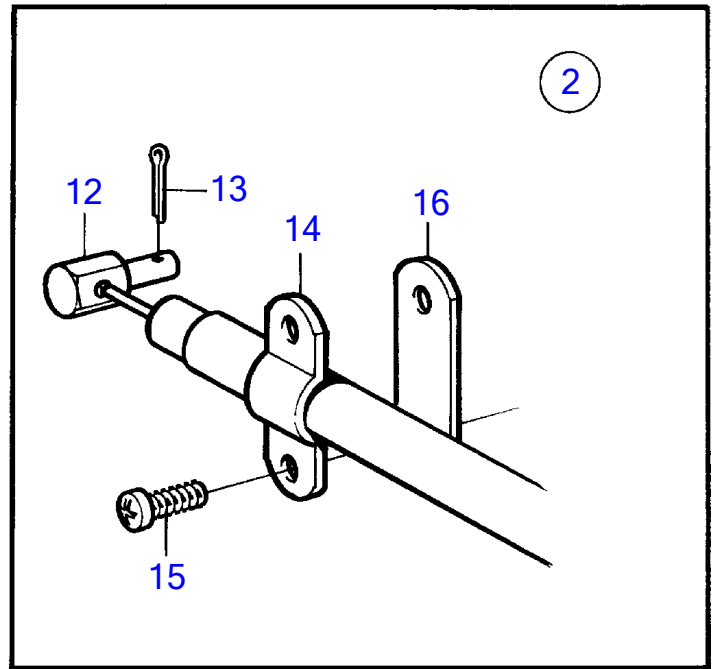
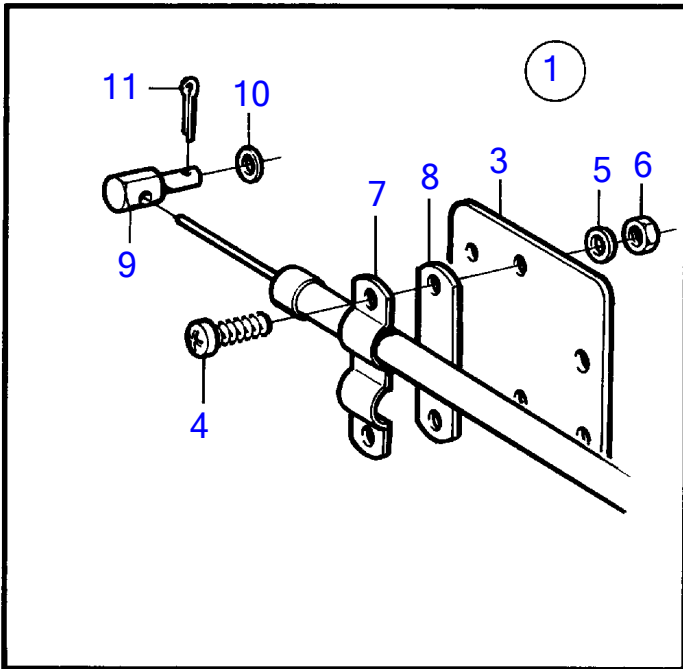
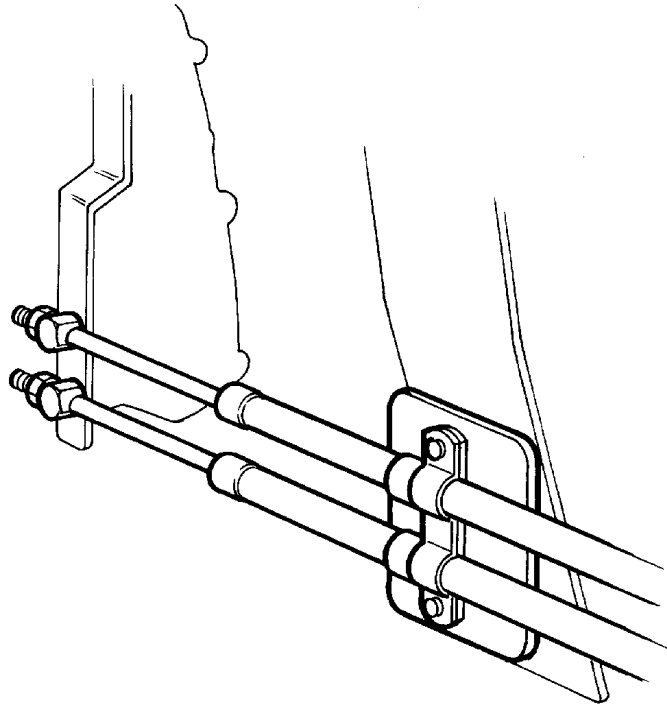


TAMD72P-A, TAMD72WJ-A



8745

TAMD72P-A, TAMD72WJ-A

REF	PART NO.	QTY	DESCRIPTION	NOTES
1	(843945)	1	Mounting kit	For control cable type 333., Obsolete part
3	843944	1	Anchorage	
4	950021	2	Cross recessed screw	
5	941905	2	Spring washer	
6	955844	2	Hexagon nut	
7	850182	1	Cable attachment	
8	(850183)	1	Spacer	Obsolete part
9	814085	2	Cube	
10	941906	2	Spring washer	
11	17276	2	Split pin	