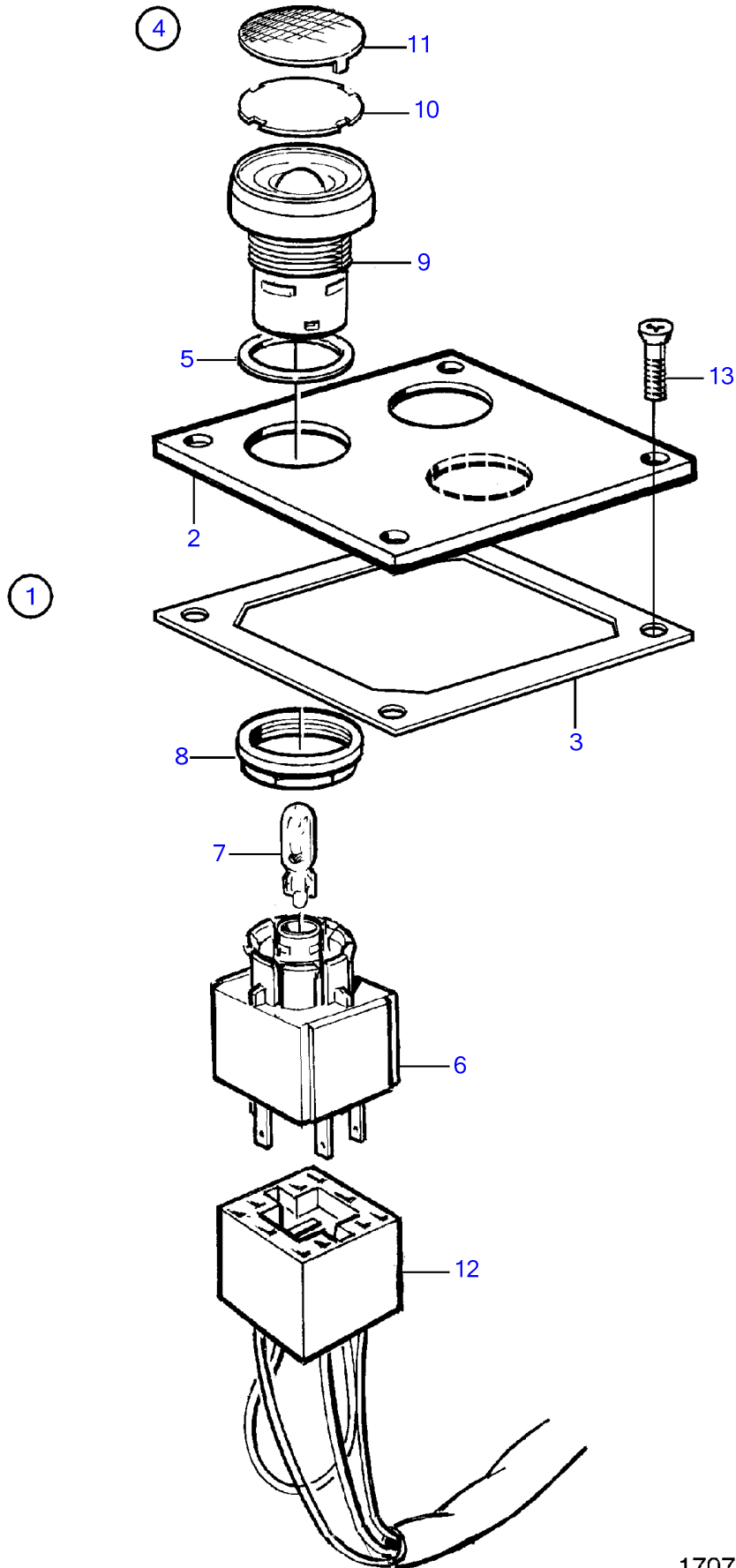


TAMD72P-A, TAMD72WJ-A



## TAMD72P-A, TAMD72WJ-A

REF	PART NO.	QTY	DESCRIPTION	NOTES
1		1	Control panel	For single installation., 2 hole
2	873642	1	• Plate	
3	873643	1	• Gasket	
4	876950	2	• Push button kit	12V, 1,2W
5		2	• • Gasket	
6		2	• • Connector unit	
7	942327	2	• • Bulb	Green
	966327	2	• • Bulb	Yellow
8		2	• • Attaching ring	Red
9		2	• • Button	
10		12	• • Symbol strip	
11		2	• • Cover plate	Green
		2	• • Cover plate	Yellow
		2	• • Cover plate	Red
		2	• • Cover plate	Blue
12	873629	1	• Wiring harness	
13	828647	4	• Screw	