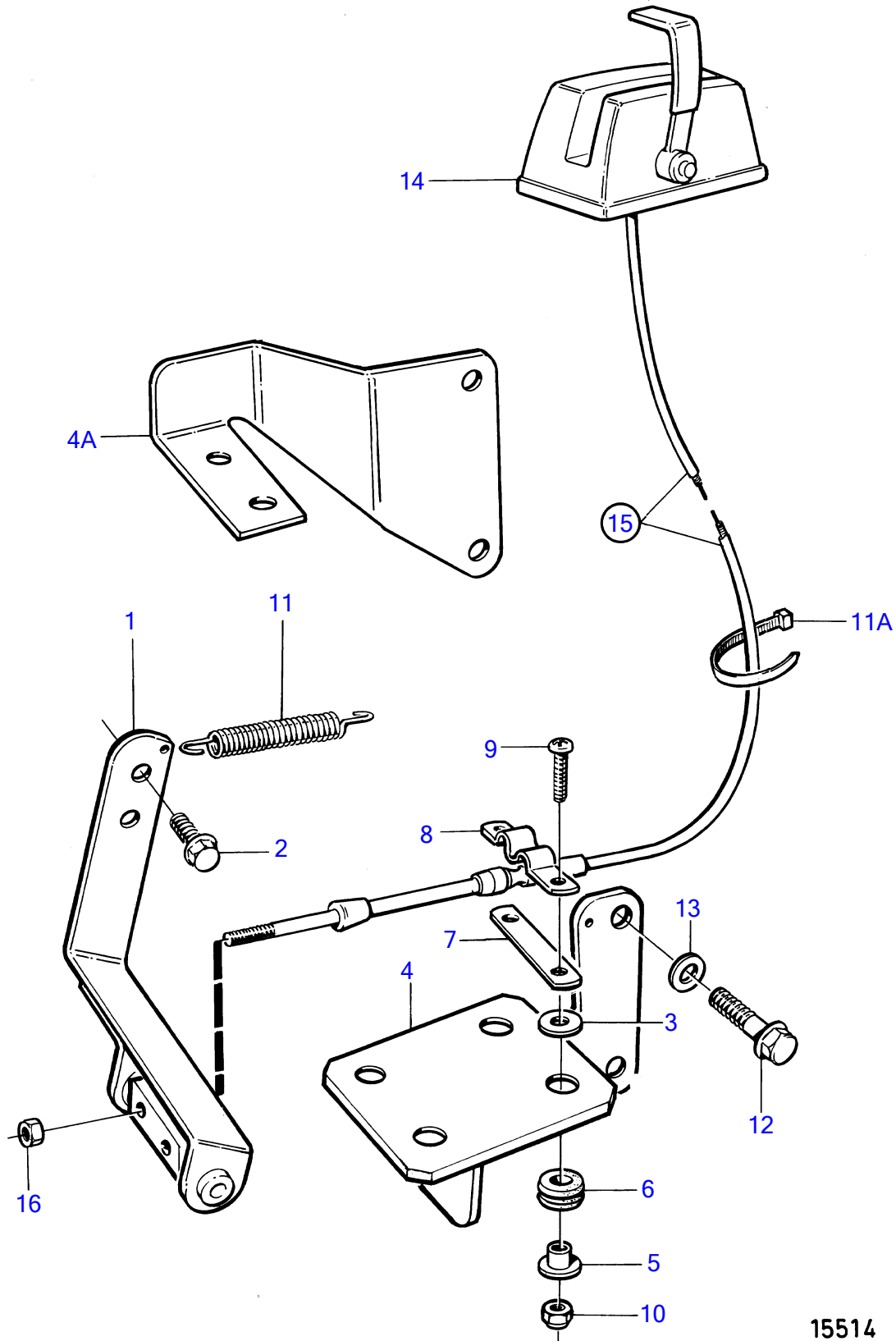


TAMD72WJ-A



15514

TAMD72WJ-A

REF	PART NO.	QTY	DESCRIPTION	SEE SEC.	NOTES
1	865023	1	Intermediate lever		
2	965175	2	Flange screw		
3	960138	2	Washer		
4	866652	1	Bracket		Late type
4A	865024	1	Bracket		Early type
5	824830	2	Spacer sleeve		
6	824834	2	Bushing		
7	(850183)	1	Spacer		Obsolete part
8	850182	1	Cable attachment		
9	956080	2	Cross recessed screw		
10	963104	2	Lock nut		
11	1586922	1	Tension spring		For 866652
		1	Return spring, stop solenoid	2498	See group 21
11A	948211	1	Cable tie		
12		2	Screw		See group 21
13		2	Washer		
14		X	Control	264	
15		X	Control cable	231	
16		X	• Nut		