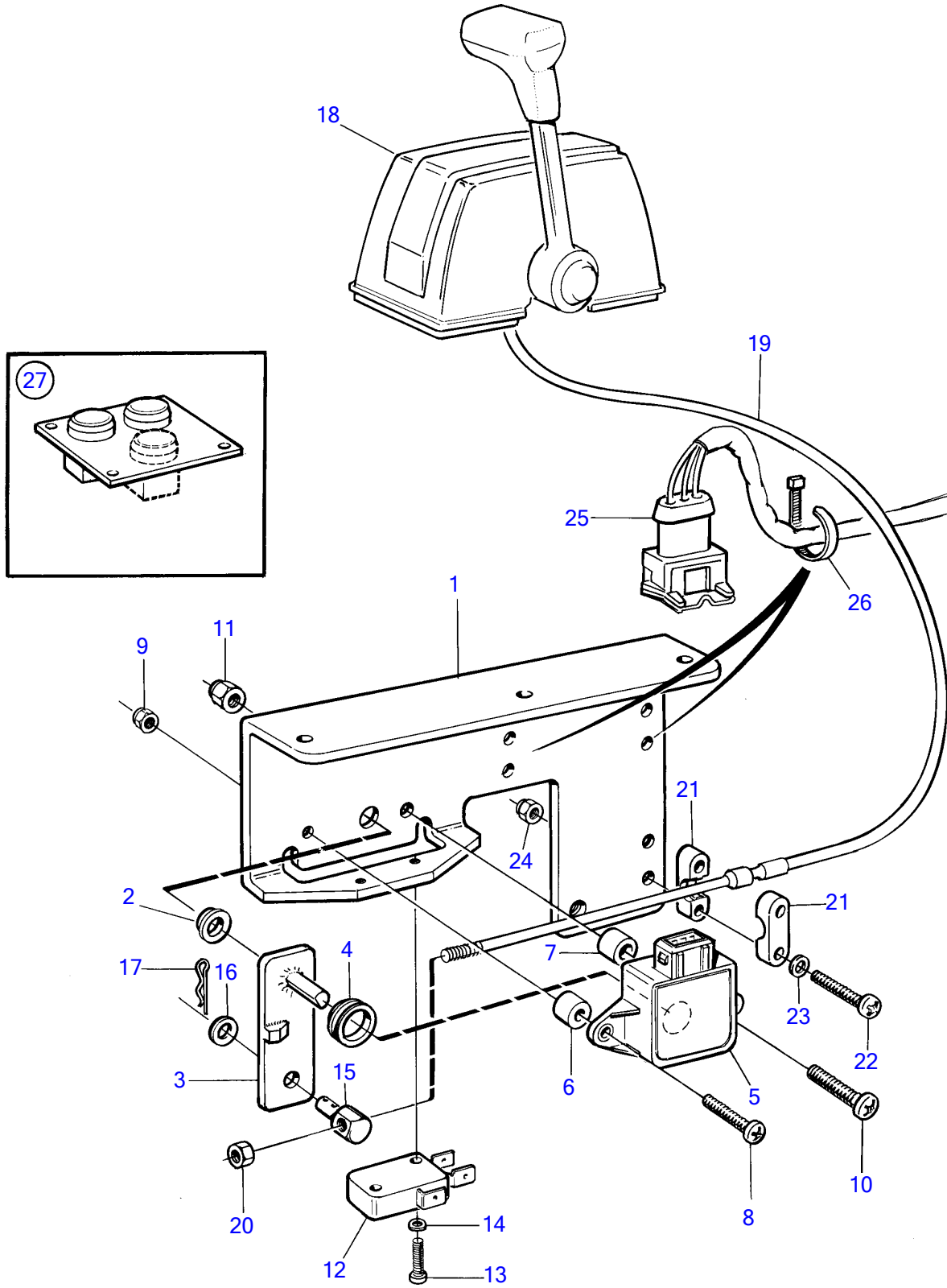


TAMD72P-A



TAMD72P-A

REF	PART NO.	QTY	DESCRIPTION	SEE SEC.	NOTES
1		1	Bracket		
2	3825618	1	Bushing		
3	3825366	1	Intermediate lever		
4	943342	1	Sealing ring		
5	1336385	1	Potentiometer		
6	3825525	1	Spacer sleeve		
7		1	Spacer sleeve		
8	969518	1	6 point socket screw		M4x25
9	946577	1	Lock nut		
10	956081	1	Cross recessed screw		M5x25
11	963103	1	Lock nut		
12	850200	1	Toggle switch		
13	956049	2	Cross recessed screw		
14	955890	2	Washer		
15	814082	1	Cube		
16	955892	1	Washer		
17	664822	1	Split pin		
18		1	Control	3582	
19		1	Control cable	231	
20		1	• Nut		
21	850361	2	Cable attachment		
22	956081	2	Cross recessed screw		
23	940090	2	Washer		
24	946577	2	Lock nut		
25	873629	1	Wiring harness		
26	948211	2	Cable tie		
27		1	Control panel		
			•		
			•	2625	