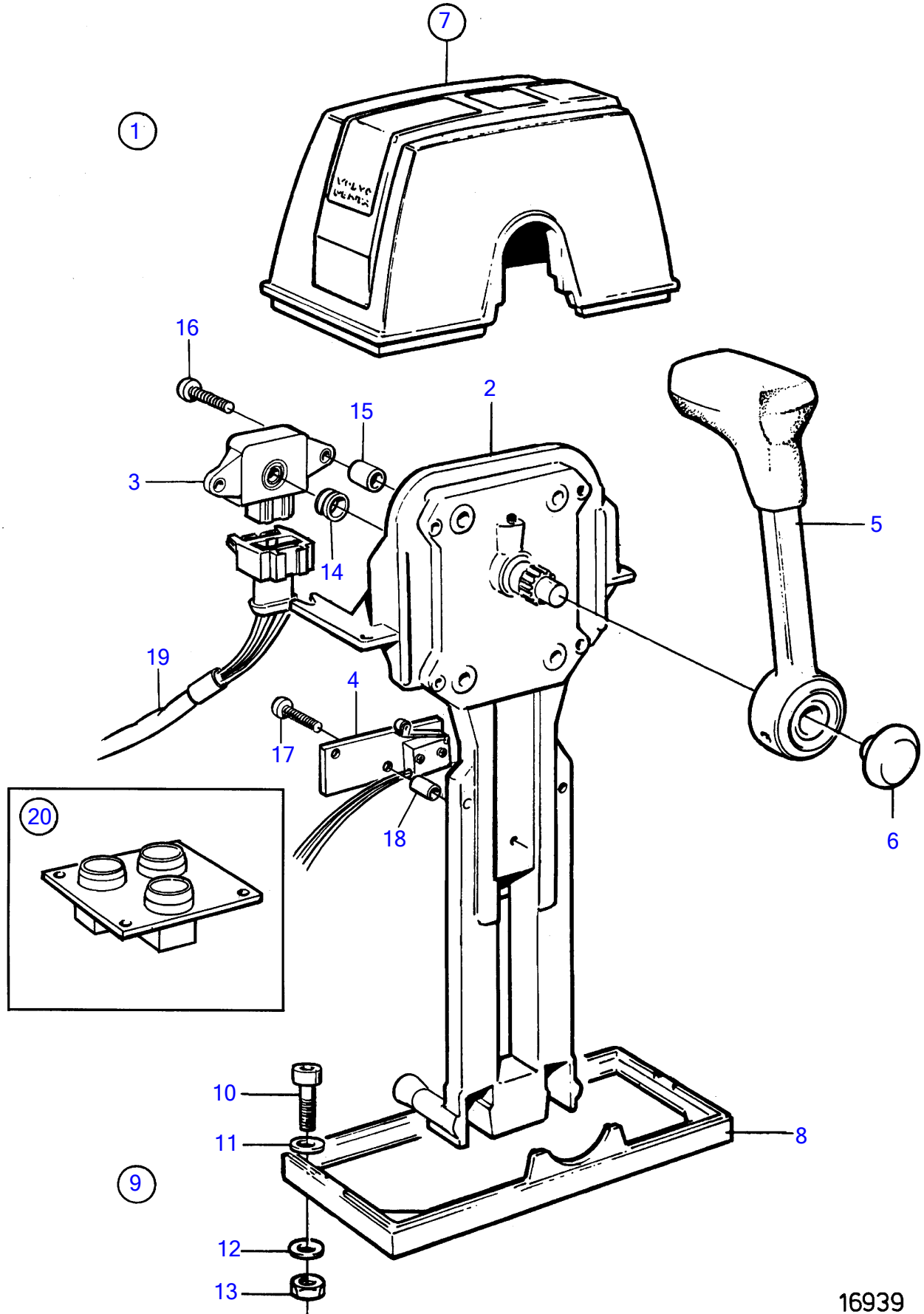


TAMD72P-A



TAMD72P-A

REF	PART NO.	QTY	DESCRIPTION	SEE SEC.	NOTES
1	1140635	2	Control		Can be upgraded with kit 873867., Repl by 873864
	873864	2	Control		
2	873862	2	• Control mechanism		(1146031)
3	1336385	2	• • Potentiometer		
4	873867	2	• • Microswitch		
5	852347	2	• Hand lever		
				266	
6	853004	2	• Push button		
7	1140636	2	• Cover		
8	839479	1	• • Plate		
9		1	• Screw kit		
10	947671	4	• • Hex. socket screw		
11	940090	4	• • Washer		
12	960138	4	• • Washer		
13	955780	4	• • Hexagon nut		
14	943342	1	Sealing ring		
15	3825525	2	Spacer sleeve		
16	969518	2	6 point socket screw		
17	946177	2	Cross recessed screw		
18		2	Spacer		
19	873629	1	Wiring harness		
20		1	Control panel		
				2625	