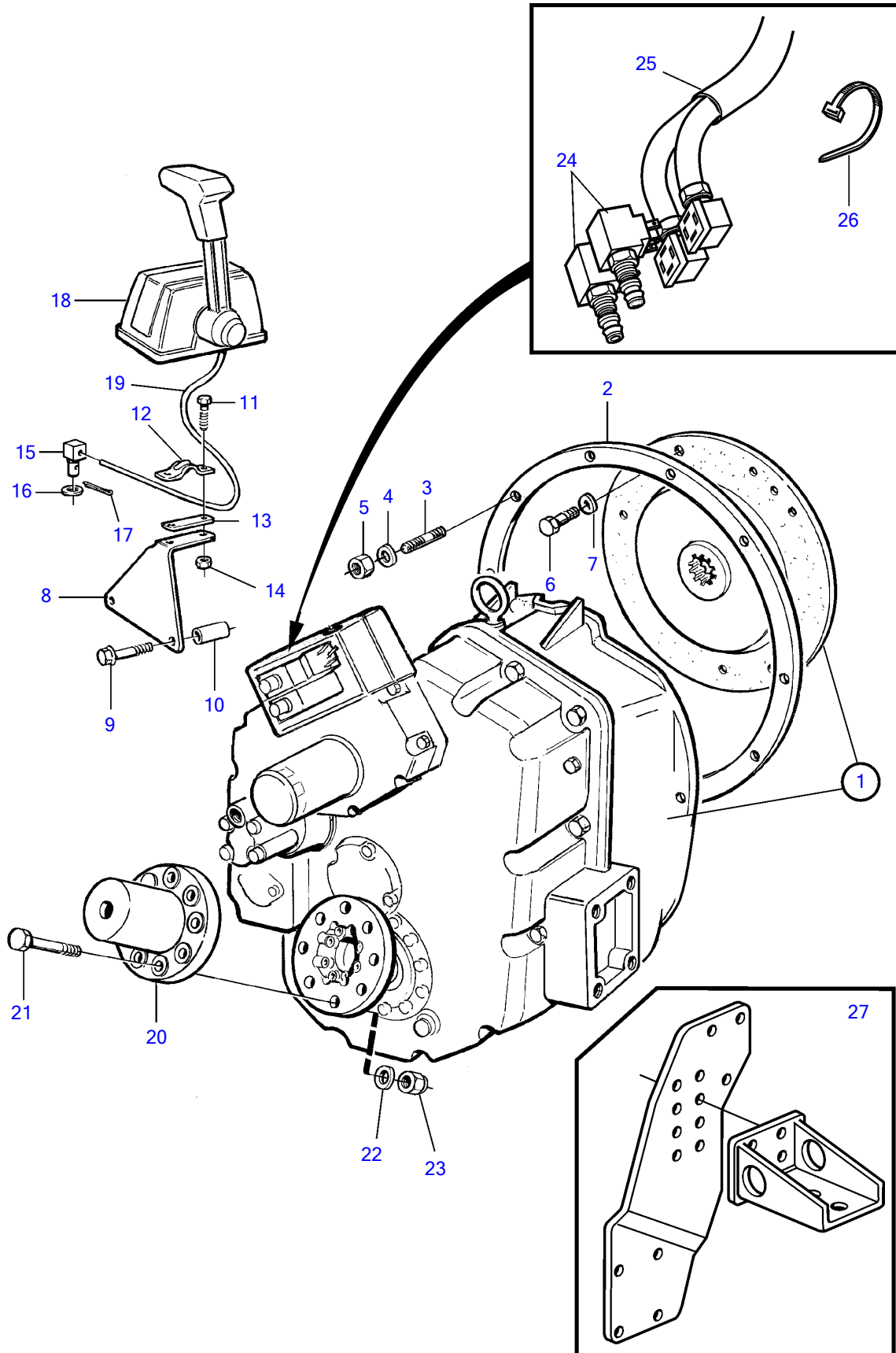


TAMD73P-A



TAMD73P-A

REF	PART NO.	QTY	DESCRIPTION	SEE SEC.	NOTES
1		1	Reversing gear		Ratio 1.482:1
		1	Reversing gear		Ratio 1.651:1
		1	Reversing gear		Ratio 2.184:1
			• parts not sold separately		
2	862623	1	Gasket		
3	953486	12	Stud		
4	942336	12	Spring washer		
5	955827	12	Hexagon nut		
6	940162	8	Hexagon screw		
7	942336	8	Spring washer		
8	864242	1	Bracket		
9	955570	2	Hexagon screw		
10	830672	2	Spacer sleeve		
11	969408	2	6 point socket screw		(956079)
12	21471054	1	Bracket		For control cable 333, 33C.
	6853782	1	Cable clamp		For control cable 443, 43C.
13	819068	1	Washer		
14	963104	2	Lock nut		
15	853217	1	Cube		
16	940191	1	Washer		
17	17253	1	Split pin		
18		X	Control		See group 27
19		X	Control cable		See group 27
20	863994	1	Clutch flange		
21	955739	8	Hexagon screw		
22	941912	8	Spring washer		
23	950378	8	Lock nut		
24	3827257	2	Solenoid		12V
	3826414	2	Solenoid		24V
25	873827	1	Cable kit		
26	948211	2	Cable tie		
27		2	Engine suspension	5011	