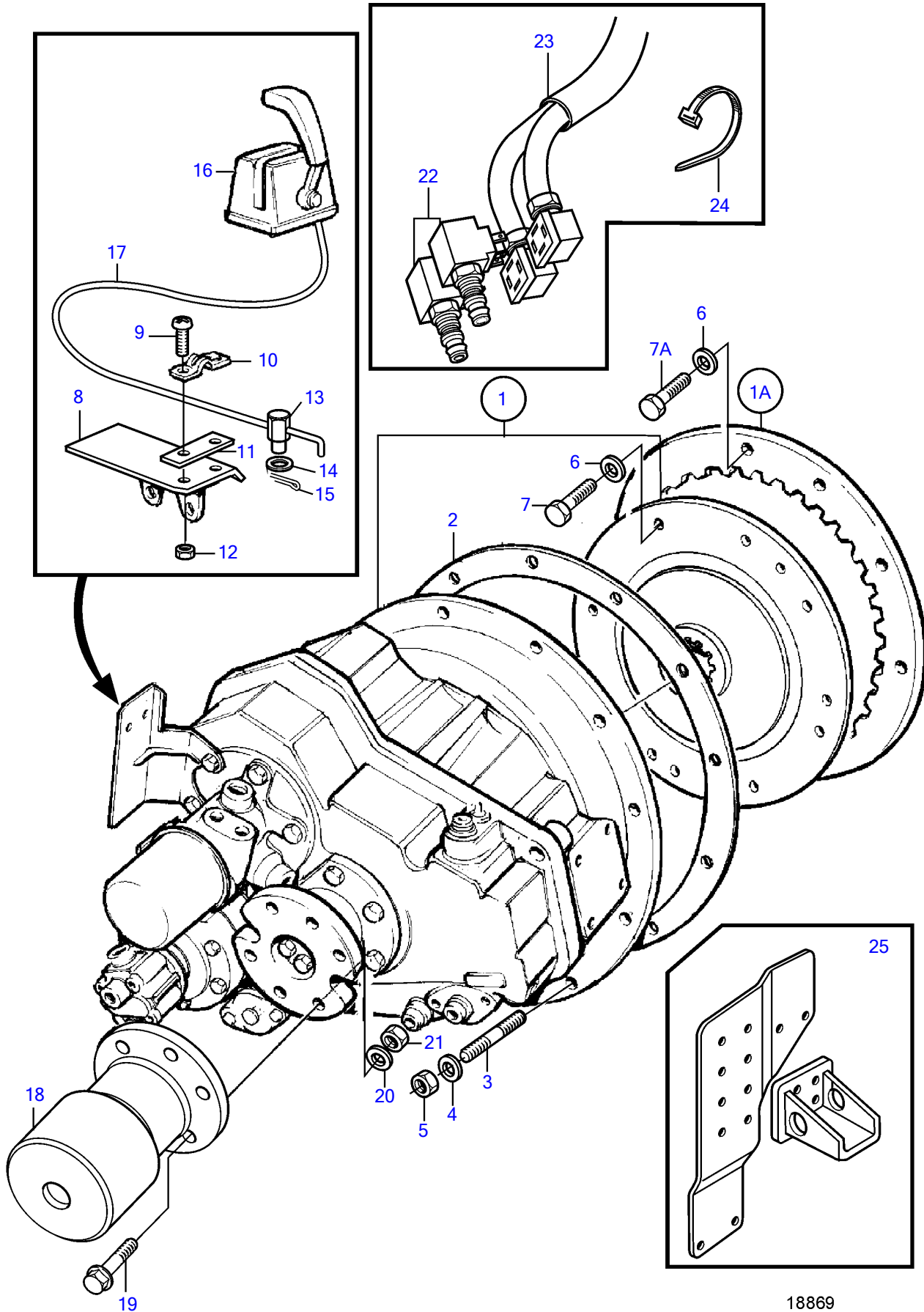


TAMD71B, TAMD73P-A



## TAMD71B, TAMD73P-A

REF	PART NO.	QTY	DESCRIPTION	SEE SEC.	NOTES
1		1	Reversing gear		Ratio 1.516:1
		1	Reversing gear		Ratio 2.005:1
		1	Reversing gear		Ratio 2.551:1
			• parts not sold separately		
1A		1	• Drive ring		Early type
1			• parts not sold separately		
2	862623	1	Gasket		
3	953486	12	Stud		
4	942336	12	Spring washer		
5	955827	12	Hexagon nut		
6	942336	8	Spring washer		
7	940162	8	Hexagon screw		
7A	956588	8	Hex. socket screw		
8		1	Bracket		
9	969408	2	6 point socket screw		(956079)
10	21471054	1	Bracket		For control cable 333, 33C.
	6853782	1	Cable clamp		For control cable 443, 43C.
11	819068	1	Washer		
12	963104	2	Lock nut		
13	853217	1	Cube		
14	940191	1	Washer		
15	17253	1	Split pin		
16		1	Control		See group 27
17		1	Control cable		See group 27
18	842106	1	Companion flange		
19	955739	6	Hexagon screw		
20	941912	6	Spring washer		
21	950378	6	Lock nut		
22	3827257	2	Solenoid		12V
	3826414	2	Solenoid		24V
23	873827	1	Cable kit		
24	948211	2	Cable tie		
25		2	Engine suspension	5012	