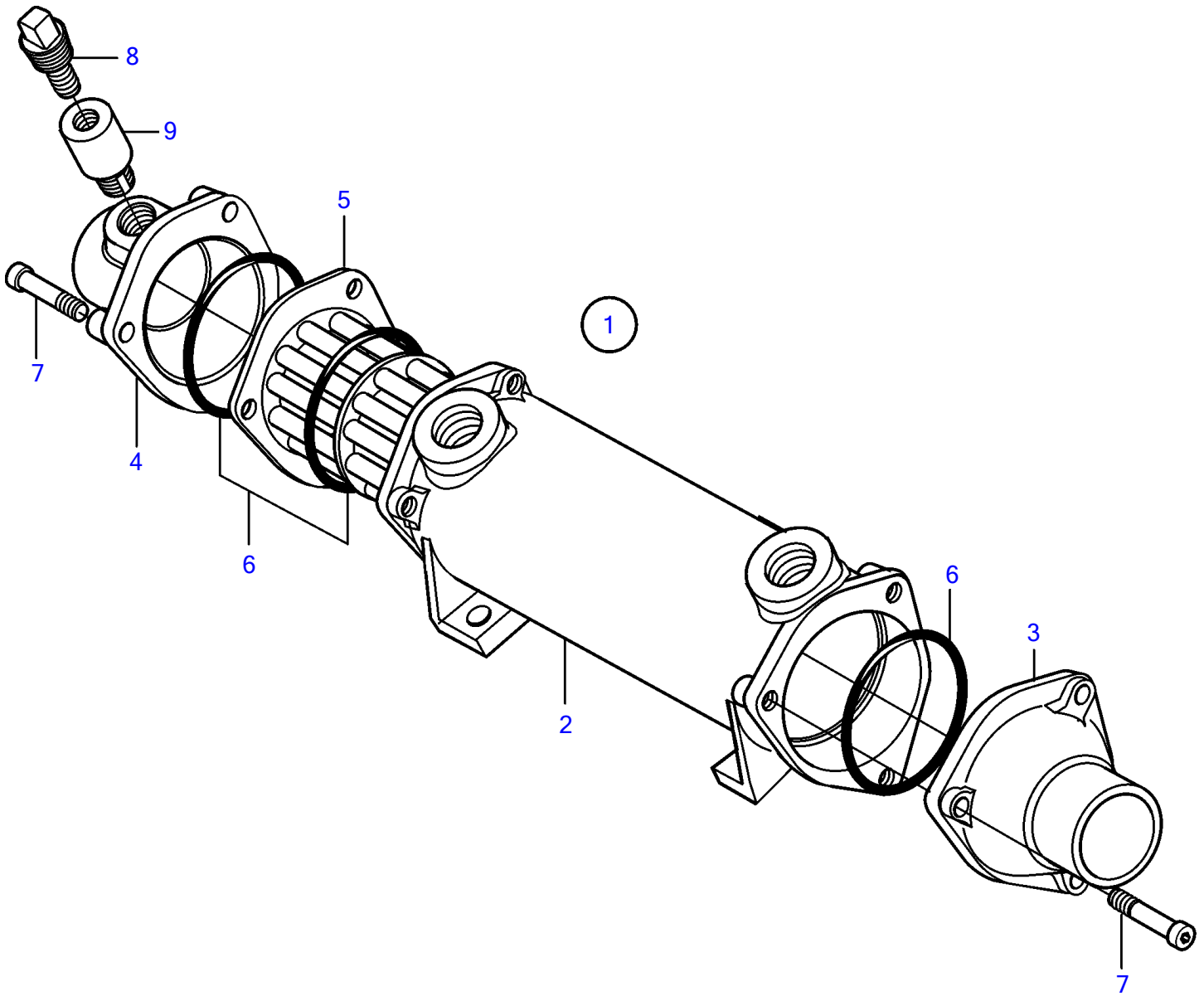


TAMD71B, TAMD73P-A, TAMD73WJ-A



17553

TAMD71B, TAMD73P-A, TAMD73WJ-A

REF	PART NO.	QTY	DESCRIPTION	NOTES
1	3827201	1	Oil cooler	
2	3827988	1	• Housing	
3	(3828407)	1	• End plate	Obsolete part
4	3828408	1	• End plate	
5	(3828406)	1	• Insert	Obsolete part
6	3581070	3	• O-ring	
7	959224	6	• Hex. socket screw	
8	838928	1	• Plug	
9	838929	1	• Anode	