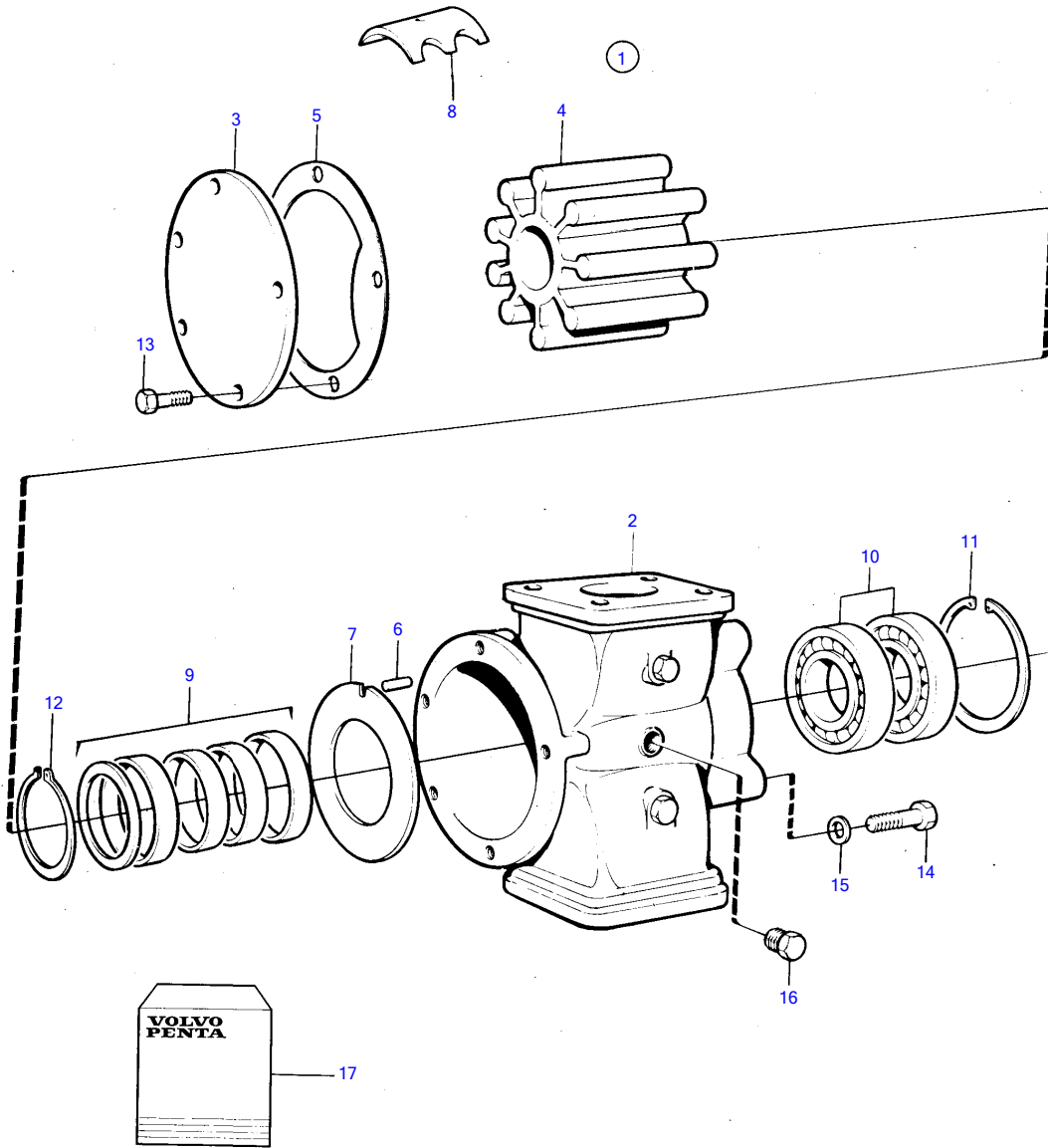


TAMD71B, TAMD73P-A, TAMD73WJ-A



16324

TAMD71B, TAMD73P-A, TAMD73WJ-A

| REF | PART NO. | QTY | DESCRIPTION | NOTES |
|-----|----------|-----|-----------------|---------------------------|
| 1 | 846104 | 1 | Bilge pump | 1 1/4" |
| 2 | 822788 | 1 | • Pump housing | |
| 3 | 825727 | 1 | • Pump cover | |
| 4 | | 1 | • Impeller | Included in impeller kit. |
| 5 | 3829314 | 1 | • Gasket | (825728) |
| 6 | 826229 | 1 | • Locking pin | |
| 7 | 826230 | 1 | • Wear washer | |
| 8 | 849321 | 1 | • Cam | |
| 9 | 822767 | 1 | • Sealing | |
| 10 | 181648 | 2 | • Ball bearing | |
| 11 | 914533 | 1 | • Snap ring | |
| 12 | 943468 | 2 | • Snap ring | |
| 13 | 959931 | 5 | • Hexagon screw | |
| 14 | 940135 | 4 | • Hexagon screw | |
| 15 | 941906 | 3 | • Spring washer | |
| 16 | 825730 | 1 | • Screw | |
| 17 | 875736 | 1 | Impeller kit | |