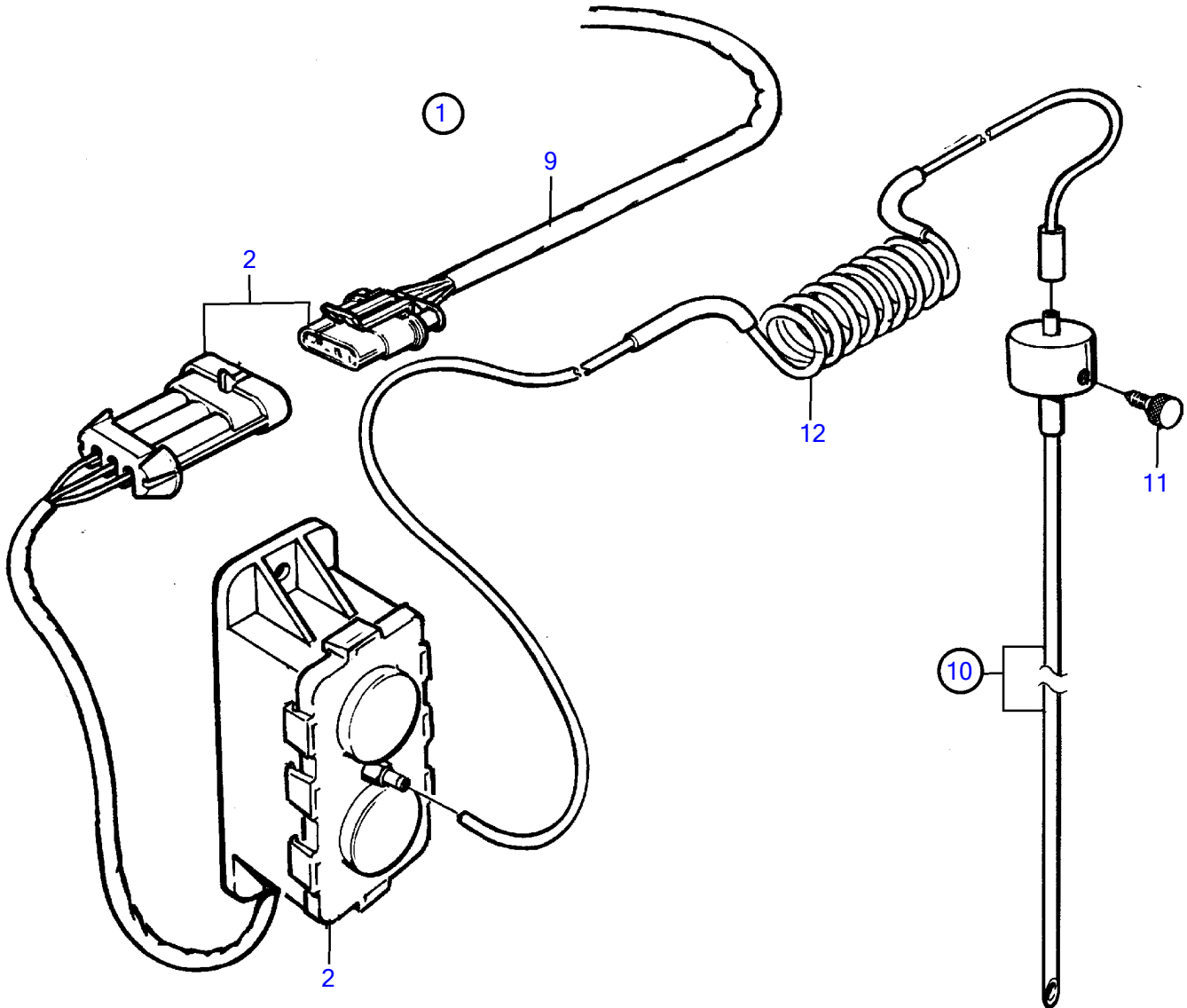
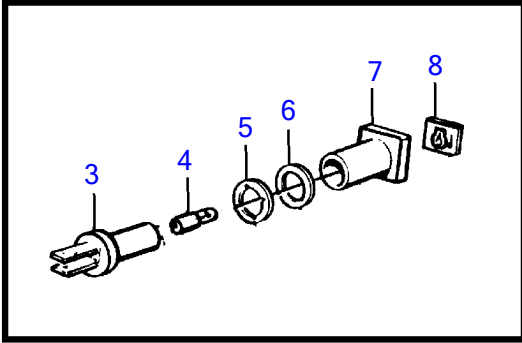


TAMD71B, TAMD73P-A, TAMD73WJ-A



TAMD71B, TAMD73P-A, TAMD73WJ-A

REF	PART NO.	QTY	DESCRIPTION	NOTES
1	(866855)	1	Oil level sensor	24V, Obsolete part
2	(866832)	1	• Electronic unit	Obsolete part
3	808175	1	• Lamp socket	
4	182059	1	• Bulb	24V
5	967583	1	• Retainer	
6	829714	1	• Sealing ring	
7	838455	1	• Retainer	
8	866853	1	• Symbol strip	
9		X	electrical materials	See group 30
		X	cables and terminals	See group 30
10	(866842)	1	Dipstick	Obsolete part
	(866843)	1	Dipstick	For engine inclination over 5°, Obsolete part
11		1	• Screw	
12		1	• Hose	