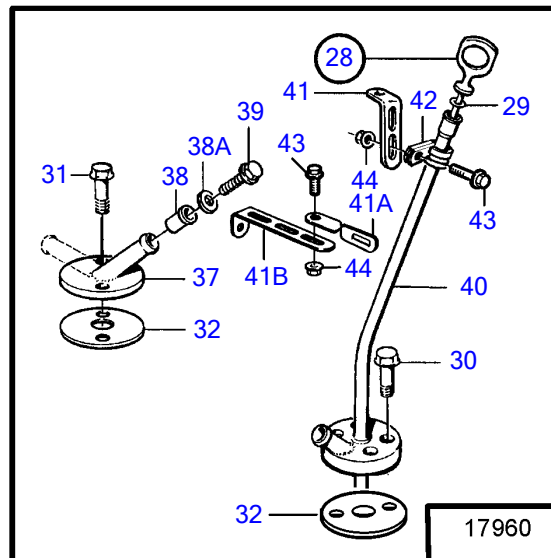
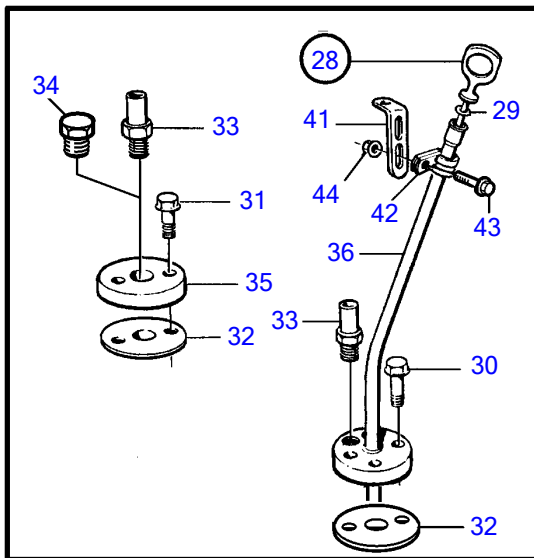
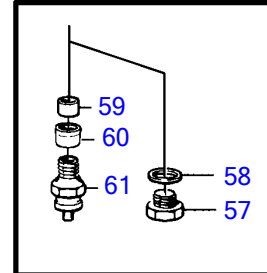
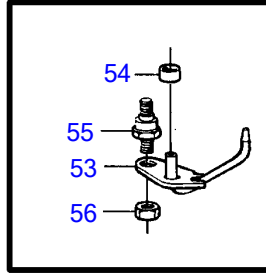
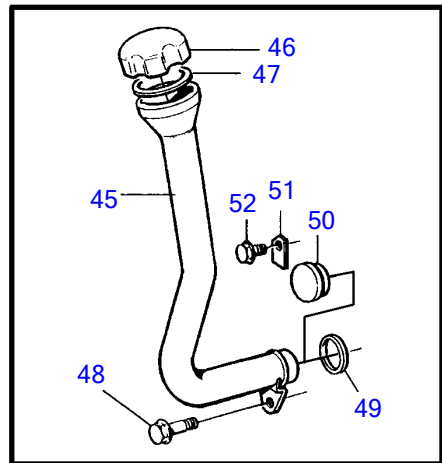
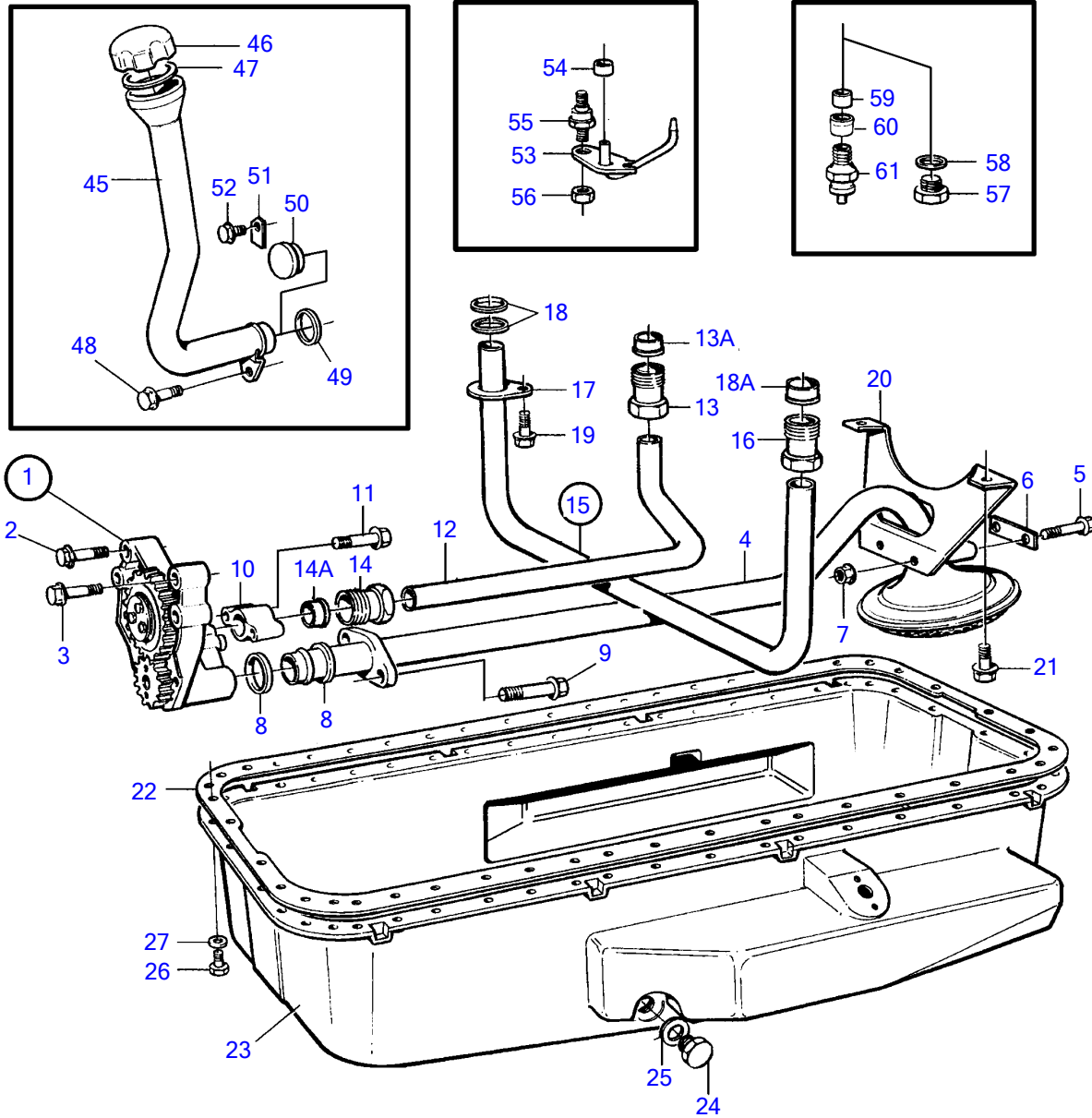


TAMD73P-A, TAMD73WJ-A



TAMD73P-A, TAMD73WJ-A

REF	PART NO.	QTY	DESCRIPTION	SEE SEC.	NOTES
1				1036	
				1036	
				1036	
	864760	1	Oil pump		
				1036	
2	471513	4	Screw		
3	471734	2	Screw		
4	864538	1	Suction pipe		
5	965218	2	Flange screw		
6	421750	1	Square washer		
7	945408	1	Flange nut		
8	470383	2	Sealing ring		
9	965184	2	Flange screw		For 864760
10	465846	1	Spacer		
11	968999	2	Flange screw		For 864760
12	477948	1	Oil pressure pipe		
13	471595	1	• Pressure pipe connec		
13A	980786	1	• Ferrule		
14	471588	1	Oil feed pipe		
14A	980786	1	Ferrule		
15	420996	1	Oil pressure pipe, piston cooling		
16	471595	1	• Pressure pipe connec, piston cooling		
17	471746	1	• Clamp		
18	471956	2	• Gasket		
18A	980786	1	• Ferrule		
19	946440	1	Flange screw		
20	847698	1	Bracket		
21	946440	2	Flange screw		
22	11030779	1	Gasket		
23	3827987	1	Crankcase		Later version of the oil sump has no hole for oil draining., (847809)
24	960634	1	Plug		Later version of the oil sump has no hole for oil draining.
25	18677	1	Gasket		Later version of the oil sump has no hole for oil draining.
26	940142	36	Hexagon screw		
27	941907	36	Spring washer		
28	848058	2	Oil dipstick		1 ea is used on WJ., Std
	863166	2	Oil dipstick		For engine inclination over 5°.
29	949187	2	• O-ring		
31	946544	2	Flange screw		L=16mm
32	865385	2	Gasket		
37	864707	1	Flange		
38	843108	1	Bushing		
	940090	1	Washer		
39	965200	1	Flange screw		
40	864710	2	Tube		1 ea is used on WJ.
41	965558	1	Bracket		
41A	1136551	1	Anchorage		
41B	965563	1	Bracket		
42	952627	2	Clamp		1 ea is used on WJ.
43	946544	2	Flange screw		1 ea is used on WJ.
44	945407	2	Flange nut		1 ea is used on WJ.
50	848319	1	Plug		Alt
51	848318	1	Anchorage		Alt
52	946440	1	Flange screw		Alt, L=16mm
53	420628	6	Piston cooling jet, piston cooling		
54	466874	6	Sealing ring		
55	471596	6	Stud		
56	948570	6	Lock nut		
59	864531	1	Tube		
60	980786	1	Ferrule		
61	864533	1	Reduction valve, piston cooling		

7740910-22-3506B

17960

Upd:2011-09-22

TAMD71B, TAMD73P-A, TAMD73WJ-A

VOLVO
PENTA