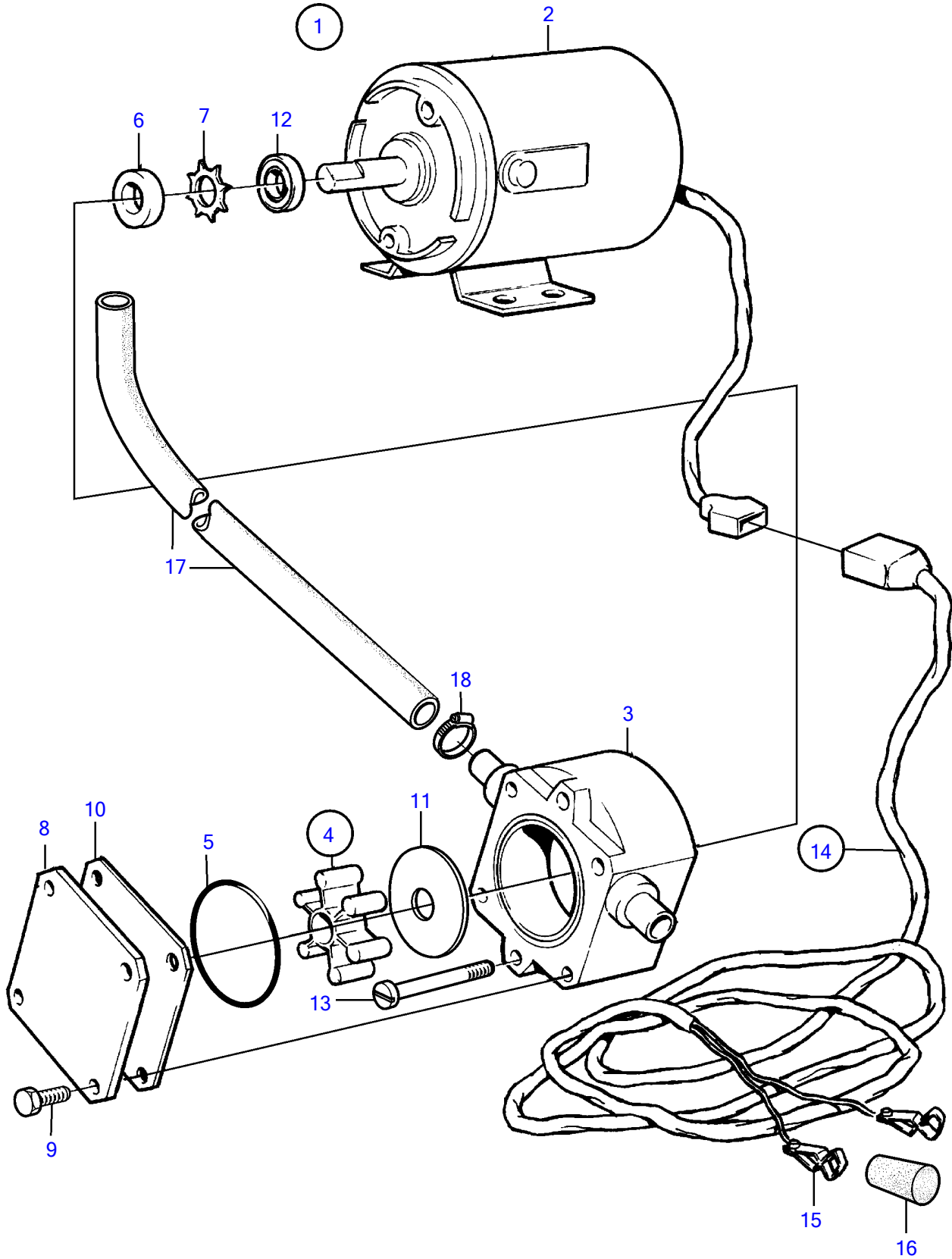


TAMD71B, TAMD73P-A, TAMD73WJ-A



TAMD71B, TAMD73P-A, TAMD73WJ-A

| REF | PART NO. | QTY | DESCRIPTION | NOTES |
|-----|----------|-----|--------------------------|----------------------|
| 1 | 843114 | 1 | Oil bilge pump | 12V |
| 2 | 842855 | 1 | • Oil bilge pump | |
| 3 | (844015) | 1 | • • Pump housing | Obsolete part |
| 4 | 844022 | 1 | • • Impeller kit | |
| 5 | | 1 | • • • O-ring | |
| 6 | | 1 | • • • Sealing ring | |
| 7 | | 1 | • • • Lock ring | |
| 8 | 844018 | 1 | • • Cardboard tube | |
| 9 | 844021 | 4 | • • Screw | |
| 10 | 844017 | 1 | • • Wear washer | |
| 11 | 844016 | 1 | • • Wear washer | |
| 12 | 844019 | 1 | • • Deflector ring | |
| 13 | 969518 | 2 | • • 6 point socket screw | (847464) |
| 14 | 843113 | 1 | • Cable trunk | |
| 15 | 844280 | 2 | • • Clip | |
| 16 | (844279) | 1 | • • Isolation | Obsolete part, Black |
| | (844278) | 1 | • • Isolation | Obsolete part, Red |
| 17 | 943707 | X | • Hose | |
| 18 | 943471 | 3 | • Hose clamp | |