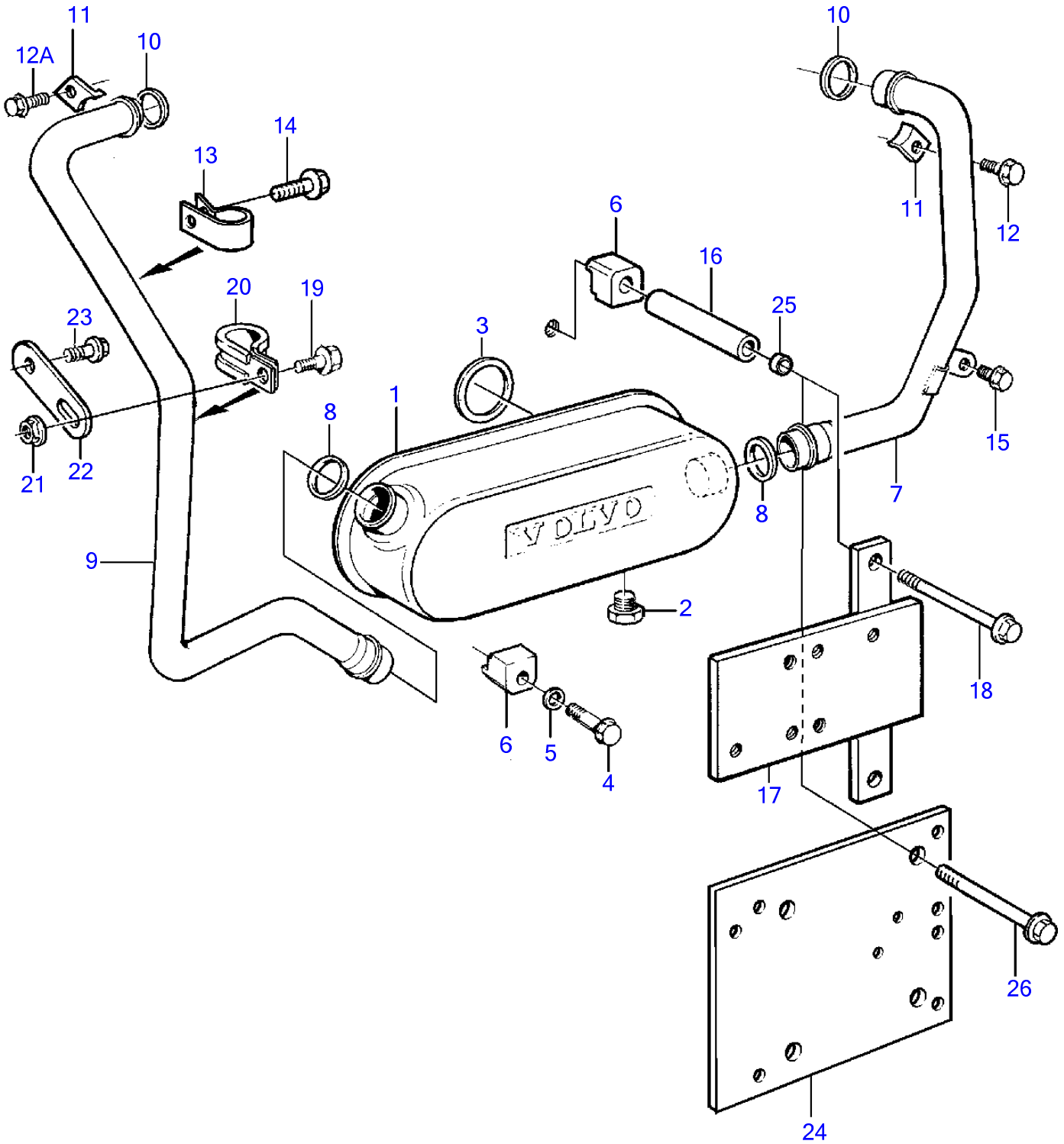


TAMD71B



TAMD71B

| REF | PART NO. | QTY | DESCRIPTION | NOTES |
|-----|----------|-----|--------------------------|----------------------------------------------------|
| 1 | 864915 | 1 | Oil cooler, classifiable | Replaced by 866539 |
| | 866539 | 1 | Oil cooler, classifiable | |
| 2 | 981749 | 1 | • Plug | |
| 3 | 471467 | 2 | Sealing ring | |
| 4 | 965186 | 2 | Flange screw | M10x50mm |
| 5 | 941908 | 4 | Spring washer | |
| 6 | 471804 | 4 | Retainer | |
| 7 | 3978502 | 1 | Coolant pipe | Cylinder block-oil cooler., For 864915, D=28mm |
| | 3826984 | 1 | Water pipe | For 866539, D=35mm |
| 8 | 471708 | 2 | Sealing ring | For 864915 |
| | 1543579 | 2 | Sealing ring | For 866539 |
| 9 | 471806 | 1 | Pipe | Thermostat housing-oil cooler., For 864915, D=28mm |
| | 864589 | 1 | Water pipe | For 866539, D=35mm |
| 10 | 471637 | 2 | Sealing ring | |
| 11 | 421654 | 2 | Clamp | |
| 12 | 946440 | 1 | Flange screw | L=16mm |
| 12A | 949846 | 1 | Flange screw | Tapping screw., L=20mm |
| 13 | 968508 | 1 | Clamp | |
| 14 | 946440 | 1 | Flange screw | M8x16mm |
| 15 | 946441 | 1 | Flange screw | M8x20mm |
| 16 | 822779 | 2 | Spacer sleeve | |
| 17 | 3826159 | 1 | Bracket, shut-off valve | |
| 18 | 969313 | 2 | Flange screw | L=110mm |
| 19 | 946544 | 1 | Flange screw | |
| 20 | 952635 | 1 | Clamp | Alt |
| 21 | 945407 | 1 | Flange nut | |
| 22 | 965538 | 1 | Bracket | |
| 23 | 946440 | 1 | Flange screw | |