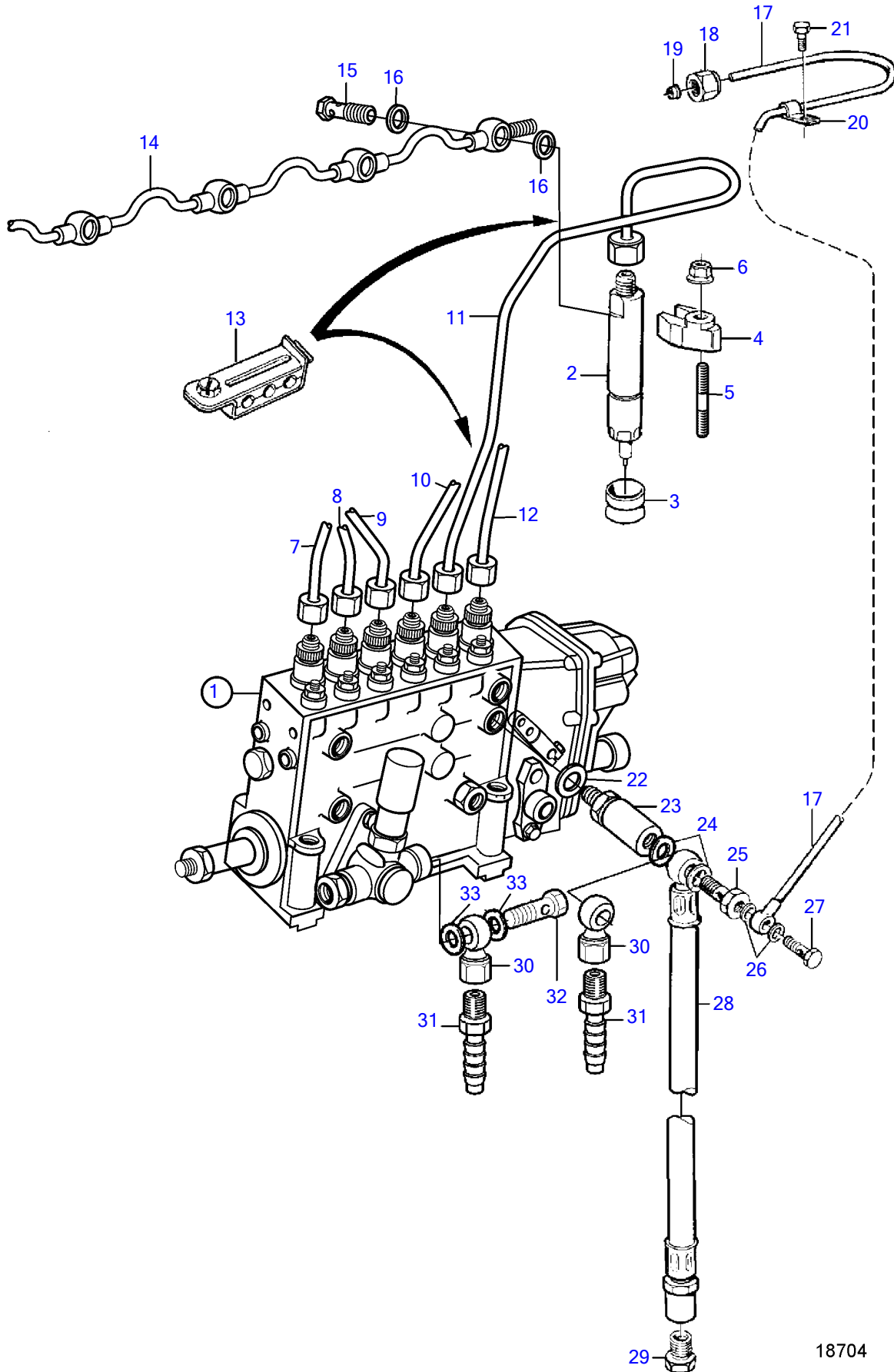


TAMD73P-A



TAMD73P-A

| REF | PART NO. | QTY | DESCRIPTION | SEE SEC. | NOTES |
|-----|----------|-----|-----------------------------|----------|----------|
| 1 | | 1 | Injection pump | 3608 | |
| 2 | 864827 | 6 | Injector | | |
| | 3803257 | 6 | Injector, exch | | |
| | | | . | | |
| | | | . | 2325 | |
| 3 | 469455 | 6 | Sealing ring | | |
| 4 | 469797 | 6 | Yoke | | |
| 5 | 1545022 | 6 | Stud | | |
| 6 | 971095 | 6 | Flange nut | | |
| 7 | 3825658 | 1 | Delivery pipe | | Cyl no 1 |
| 8 | 3825659 | 1 | Delivery pipe | | Cyl no 2 |
| 9 | 3825660 | 1 | Delivery pipe | | Cyl no 3 |
| 10 | 864604 | 1 | Delivery pipe | | Cyl no 4 |
| 11 | 864605 | 1 | Delivery pipe | | Cyl no 5 |
| 12 | 864606 | 1 | Delivery pipe | | Cyl no 6 |
| 13 | 8194351 | 6 | Clamp | | 2 pipes |
| | 8194352 | 1 | Clamp | | 3 pipes |
| | 8194353 | 1 | Clamp | | 4 pipes |
| 14 | 471605 | 1 | Leak-off pipe | | |
| 15 | 74033 | 6 | Hollow screw | | |
| 16 | 947620 | 12 | Gasket | | |
| 17 | 3825440 | 1 | Leak-off pipe | | |
| 18 | 956980 | 1 | Fitting nut | | |
| 19 | 956966 | 1 | Ferrule | | |
| 20 | 121563 | 1 | Clamp | | |
| 21 | 967949 | 1 | Flange screw | | (965175) |
| 22 | | 1 | Gasket | | |
| 23 | 11996309 | 1 | Overflow valve | | |
| | | | . parts not sold separately | | |
| 24 | 969011 | 2 | Gasket | | |
| 25 | 16496 | 1 | Hollow screw | | |
| 26 | 947620 | 2 | Gasket | | |
| 27 | 74033 | 1 | Hollow screw | | |
| 28 | 3830312 | 1 | Hose | | |
| 29 | 22753 | 1 | Nipple | | |
| 30 | 861101 | 2 | Banjo nipple | | Alt |
| 31 | 3825000 | 2 | Hose nipple | | Alt |
| 32 | 25167 | 1 | Hollow screw | | |
| 33 | 969011 | 2 | Gasket | | |