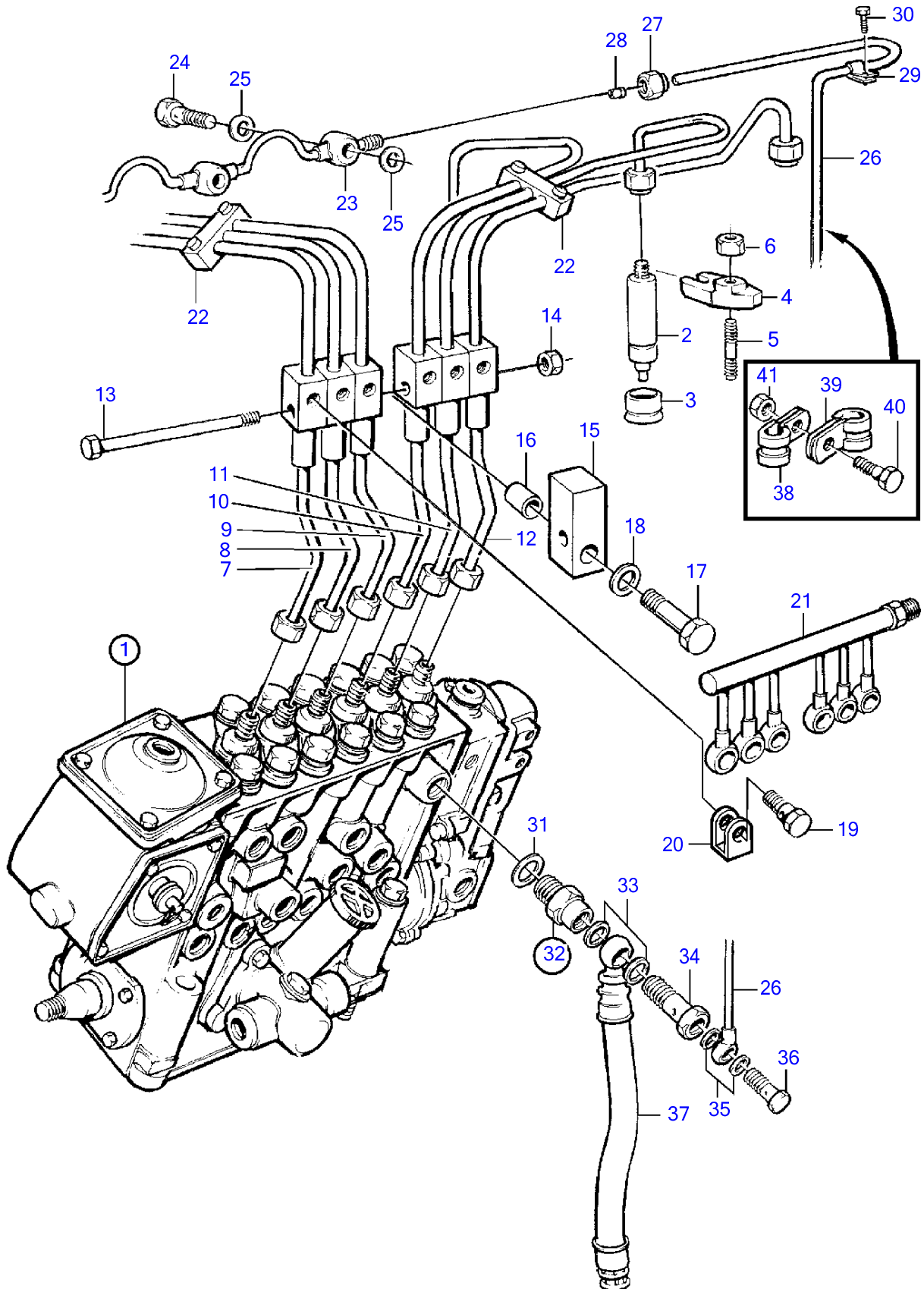


TAMD71B



**TAMD71B**

REF	PART NO.	QTY	DESCRIPTION	SEE SEC.	NOTES
1		1	Injection pump	2541	
2	864069	6	Injector		
	3803256	6	Injector, exch		
			.		
			.	2324	
3	469455	6	Sealing ring		
4	469797	6	Yoke		
5	1545022	6	Stud		
6	971095	6	Flange nut		
7	864689	1	Pressure pipe		Cyl no 1
8	864690	1	Pressure pipe		Cyl no 2
9	864691	1	Pressure pipe		Cyl no 3
10	864692	1	Pressure pipe		Cyl no 4
11	864693	1	Pressure pipe		Cyl no 5
12	864694	1	Pressure pipe		Cyl no 6
13	955288	1	Hexagon screw		
14	945407	1	Flange nut		
15	846119	1	Spacer		
16	822255	1	Spacer sleeve		
17	970966	1	Hexagon screw		
18	941908	1	Spring washer		
19	846183	6	Hollow screw		
20	845953	6	Gasket		
21	846121	1	Leak-off line		
22		2	Clamp		
23	471605	1	Leak-off pipe		
24	74033	6	Hollow screw		
25	947620	12	Gasket		
26	3826368	1	Leak-off line		(848627)
27	956980	1	Fitting nut		
28	956966	1	Ferrule		
29	121563	1	Clamp		
30	967949	1	Flange screw		(965175)
31	969011	1	Gasket		
32	3825154	1	Overflow valve		
33	969011	2	Gasket		
34	16496	1	Hollow screw		
35	947620	2	Gasket		
36	74033	1	Hollow screw		
37		X	Fuel hose		Classifiable fuel line is not being offered by Volvo Penta
38	952624	1	Clamp		
39	952622	1	Clamp		
40	967949	1	Flange screw		(965175)
41	945407	1	Flange nut		