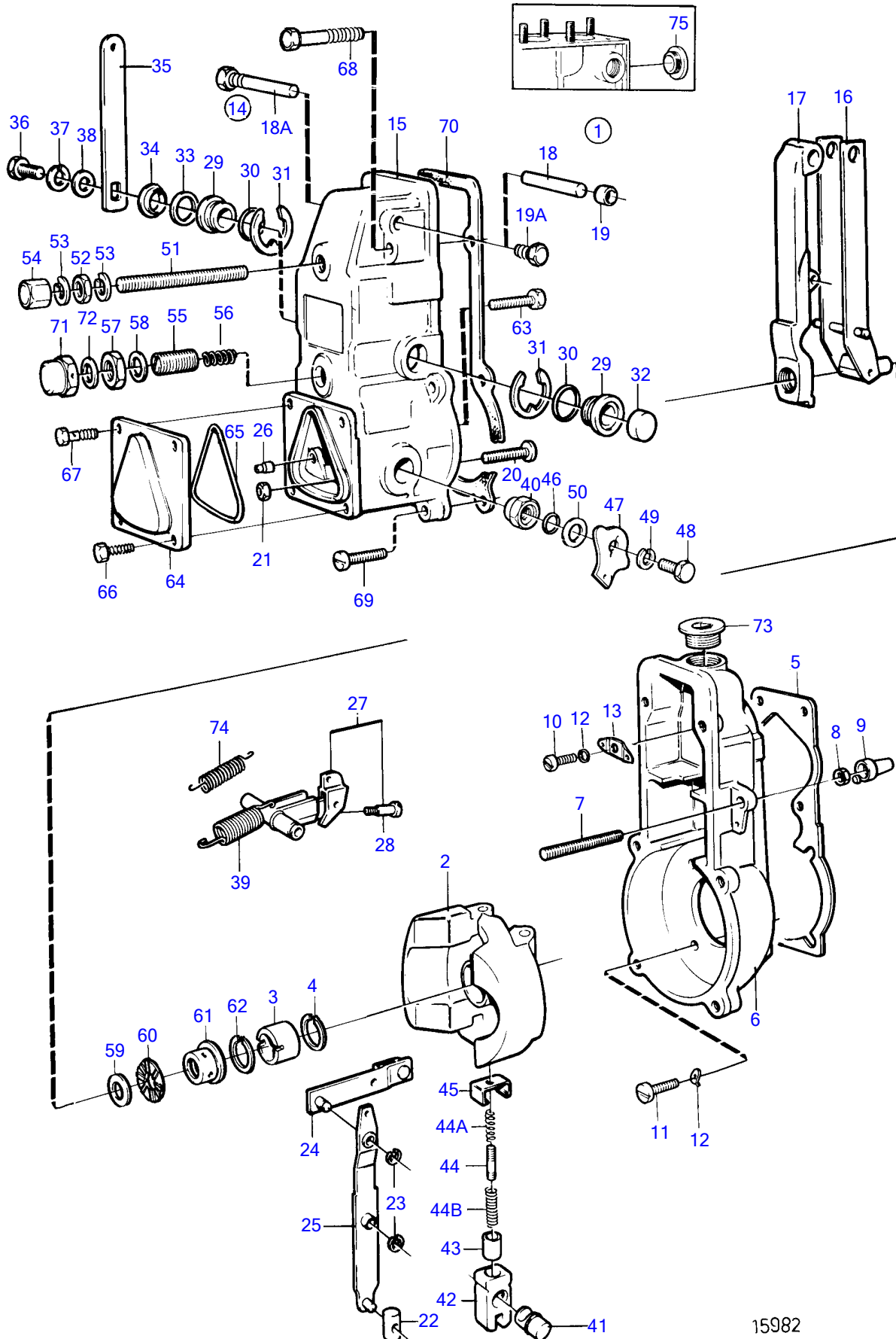


TAMD71B, TAMD73P-A, TAMD73WJ-A



## TAMD71B, TAMD73P-A, TAMD73WJ-A

| REF | PART NO.  | QTY | DESCRIPTION            | NOTES  |
|-----|-----------|-----|------------------------|--|
| 1   | (864751)  | 1   | Governor               | Obsolete part  |
| 2   | 848220    | 1   | • Regulator weight     |  |
| 3   | (238994)  | 1   | • Round nut            | Obsolete part  |
| 4   | (238995)  | 1   | • Spring washer        | Obsolete part  |
| 5   | 1698168   | 1   | • Gasket               |  |
| 6   | (870907)  | 1   | • Regulator housing    | Obsolete part  |
| 7   | (243451)  | 1   | • Adjusting screw      | Obsolete part  |
| 8   | 940197    | 1   | • Hexagon nut          |  |
| 9   |           | 1   | • Cover                |  |
| 10  | 969423    | 4   | • 6 point socket screw | L=25mm (956097)  |
| 11  | 956095    | 4   | • Cross recessed screw | L=20mm   |
| 12  | 949607    | 8   | • Spring washer        |  |
| 13  | (870908)  | 1   | • Bracket              | Obsolete part  |
| 14  |           | 1   | • Regulator cover      |  |
| 15  |           | 1   | • • Lock               | Early type   |
|     | (862802)  | 1   | • • Regulator cover    | Only for screw 862807 and lock screw 862807., Late type, Obsolete part |
| 16  | (848760)  | 1   | • • Arm                | Obsolete part  |
| 17  | (848757)  | 1   | • • Tensioning arm     | Obsolete part  |
| 18  | 239017    | 1   | • • Shaft              |  |
| 18A | 862806    | 1   | • • Screw              | Only for cover 862802.   |
| 19  | 240374    | 2   | • • Plug               |  |
| 19A | (862807)  | 1   | • • Lock screw         | Only for cover 862802., Obsolete part                                  |
| 20  | (239021)  | 1   | • • Screw              | Obsolete part  |
| 21  | 940197    | 1   | • • Hexagon nut        |  |
| 22  | (240376)  | 1   | • • Cube               | Obsolete part  |
| 23  | 951667    | 2   | • • E-circlip          | (848218)   |
| 24  | (845008)  | 1   | • • Lever              | Obsolete part  |
| 25  |           | 1   | • • • Lever            |  |
| 26  | (848756)  | 1   | • • Nut                | Obsolete part  |
| 27  | (870887)  | 1   | • • Swivel arm         | Obsolete part  |
| 28  |           | 1   | • • Screw              |  |
| 29  | (240382)  | 2   | • • Bearing bushing    | Obsolete part  |
| 30  | 864475    | 2   | • • O-ring             |  |
| 31  | 942796    | 2   | • • E-circlip          |  |
| 32  | (239037)  | 1   | • • Cover              | Obsolete part  |
| 33  | 864476    | 1   | • • O-ring             |  |
| 34  | (240046)  | X   | • • Adjusting washer   | TH=0,30mm, Obsolete part   |
|     | 238132    | X   | • • Washer             | TH=1,00mm  |
| 35  | 239039    | 1   | • • Arm                |  |
| 36  | 955271    | 1   | • • Hexagon screw      |  |
| 37  | 949607    | 2   | • • Spring washer      |  |
| 38  | 955892    | 1   | • • Washer             |  |
| 39  | 837737    | 1   | • • Spring             |  |
| 40  | (239048)  | 1   | • • Bearing bushing    | Obsolete part  |
| 41  | (239049)  | 1   | • • Shaft              | Obsolete part  |
| 42  | (6213511) | 1   | • • Link arm end       | Obsolete part  |
| 43  | (239051)  | 1   | • • Sleeve             | Obsolete part  |
| 44  | (240387)  | 1   | • • Spring             | Obsolete part  |
| 44A | (240386)  | 1   | • • Spring             | Obsolete part  |
| 44B | (240388)  | 1   | • • Spring             | Obsolete part  |
| 45  |           | 1   | • • Brace              |  |
| 46  | 862814    | 1   | • • O-ring             |  |
| 47  | (870912)  | 1   | • • Lever              | Obsolete part  |
| 48  | 955271    | 1   | • • Hexagon screw      |  |
| 49  | 949607    | 1   | • • Spring washer      |  |
| 50  | (243513)  | 1   | • • Adjusting washer   | TH=0,60mm, Obsolete part   |
| 51  | (848217)  | 1   | • • Stud               | Obsolete part  |
| 52  | (864108)  | 1   | • • Nut                | Obsolete part  |
| 53  | 190990    | 2   | • • Gasket             |  |
| 54  | (862272)  | 1   | • • Cap nut            | Obsolete part  |
| 55  | (864753)  | 1   | • • Spring             | Obsolete part  |
| 56  | (864468)  | 1   | • • Damping spring     | Obsolete part  |
| 57  | (239046)  | 1   | • • Nut                | Obsolete part  |

## TAMD71B, TAMD73P-A, TAMD73WJ-A

| REF | PART NO. | QTY | DESCRIPTION            | NOTES                 |
|-----|----------|-----|------------------------|-----------------------|
| 58  | 18839    | 1   | • • • Gasket           |                       |
| 59  | (848762) | 1   | • • • Washer           | Obsolete part         |
| 60  | (848761) | 1   | • • • Needle bearing   | Obsolete part         |
| 61  | (848763) | 1   | • • • Bushing          | Obsolete part         |
| 62  | 239164   | 1   | • • • Tensioning ring  |                       |
| 63  | (848755) | 1   | • • • Adjusting screw  | Obsolete part         |
| 64  | 848741   | 1   | • Cardboard tube       |                       |
| 65  | 848740   | 1   | • Sealing ring         |                       |
| 66  | 845229   | 2   | • Screw                |                       |
| 67  | 955268   | 2   | • Hexagon screw        | For lead-seal.        |
| 68  | 956100   | 2   | • Cross recessed screw | L=40mm                |
| 69  | (241990) | 4   | • Screw                | L=25mm, Obsolete part |
| 70  | 11992560 | 1   | • Gasket               |                       |
| 71  | (870637) | 1   | • Nut                  | Obsolete part         |
| 72  | 18839    | 1   | • Gasket               |                       |
| 73  | (240919) | 1   | • Plug                 | Obsolete part         |
| 74  | 845009   | 4   | • Spring               |                       |
| 75  | (240016) | 4   | • Lock screw           | Obsolete part         |