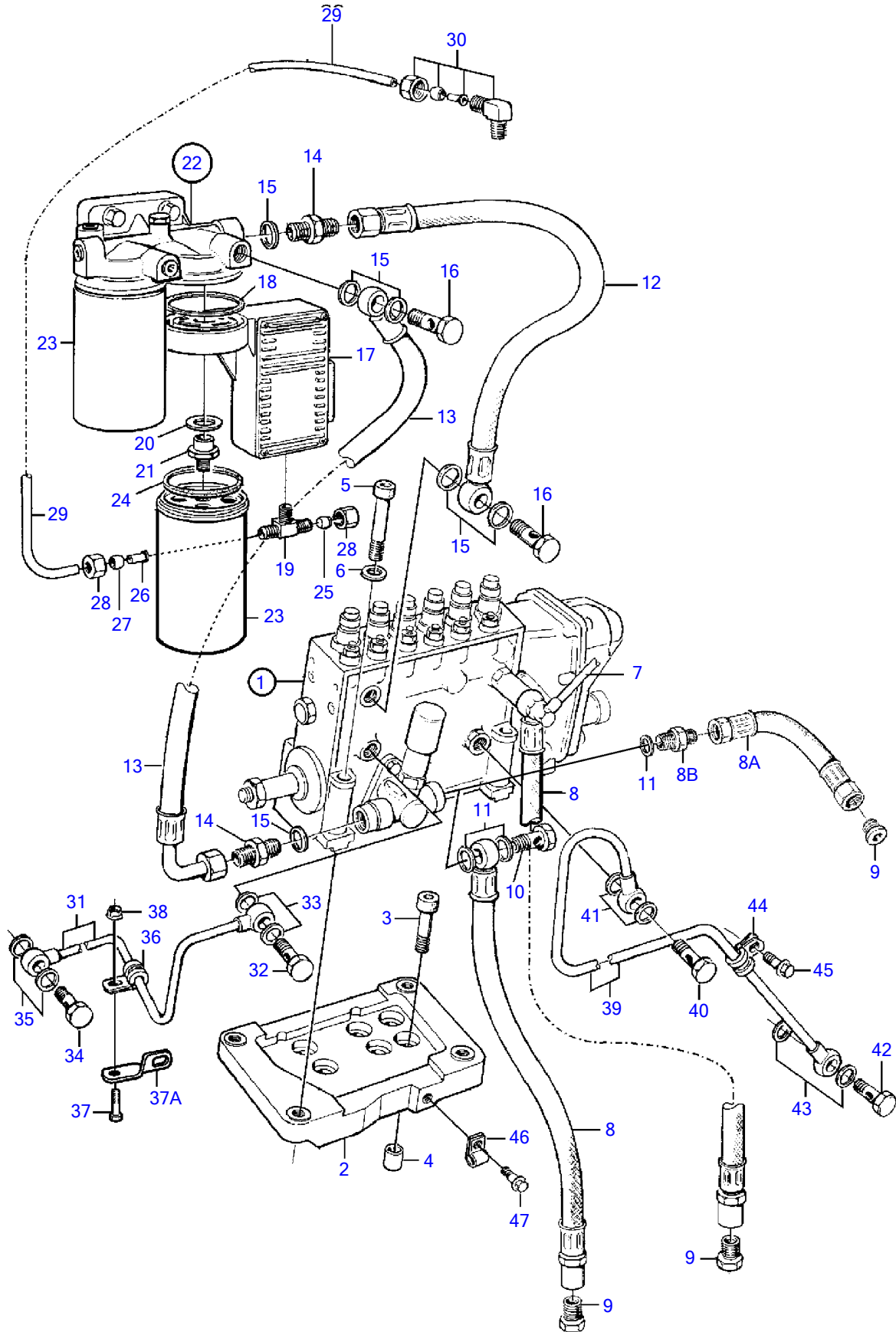


TAMD73P-A



TAMD73P-A

REF	PART NO.	QTY	DESCRIPTION	SEE SEC.	NOTES
1	3825439	1	Injection pump		
	3803734	1	Injection pump, exch		
			.		
			.	3619	
2	(477773)	1	Shelf		Obsolete part
3	965185	4	Flange screw		L=40mm
4	417588	2	Guide sleeve		
5	959250	4	Hex. socket screw		L=90mm
6	941908	4	Spring washer		
7		1	Leak-off line, fuel hose connecting	3611	
8	3830312	X	Hose		
8A	3830309	1	Hose		Alt
8B	977677	1	Nipple		Alt
9	22753	2	Nipple		
10	25167	1	Hollow screw		
11	969011	2	Gasket		
12	3830306	1	Hose		
13	3830307	1	Hose		
14	941754	2	Nipple		
15	969011	6	Gasket		
16	25167	2	Hollow screw		
17	3826995	1	Control unit		
			• Bulletin P-28-4-10	P-28-4-10-EN	ECU and Software Related Changes
			• Bulletin p-28-4-16	p-28-4-16-EN	New Order Routine for Electronic Control Units for EDC1
18	3825387	1	• Sealing ring		
19	946082	1	• T-nipple		
20	955904	1	Washer		
21	3825333	1	Nipple		
22	8194541	1	Fuel filter housing		(1676832)
			.		
			.	2501	
23		2	Fuel filter	2501	
24		1	Gasket	2501	
25	943006	1	Plug		
26	944717	1	Support sleeve		
27	954364	1	Sleeve		
28	954356	2	Fitting nut		
29	945460	1	Tube	3942	
30		1	Connector	3942	
31	477986	1	Oil pressure pipe		
32	48634	1	Hollow screw		
33	947281	2	Gasket		
34	969299	1	Hollow screw		
35	11994	2	Gasket		
36	952623	1	Clamp		
37	946544	1	Flange screw		
37A	1136551	1	Anchorage		
38	945407	1	Flange nut		
39	865251	1	Oil return pipe		
40	48634	1	Hollow screw		
41	907132	2	Gasket		
42	25167	1	Hollow screw		
43	969011	2	Gasket		
44	947191	1	Clamp		
45	946471	1	Flange screw		
46	940374	1	Clamp		
47	946440	1	Flange screw		