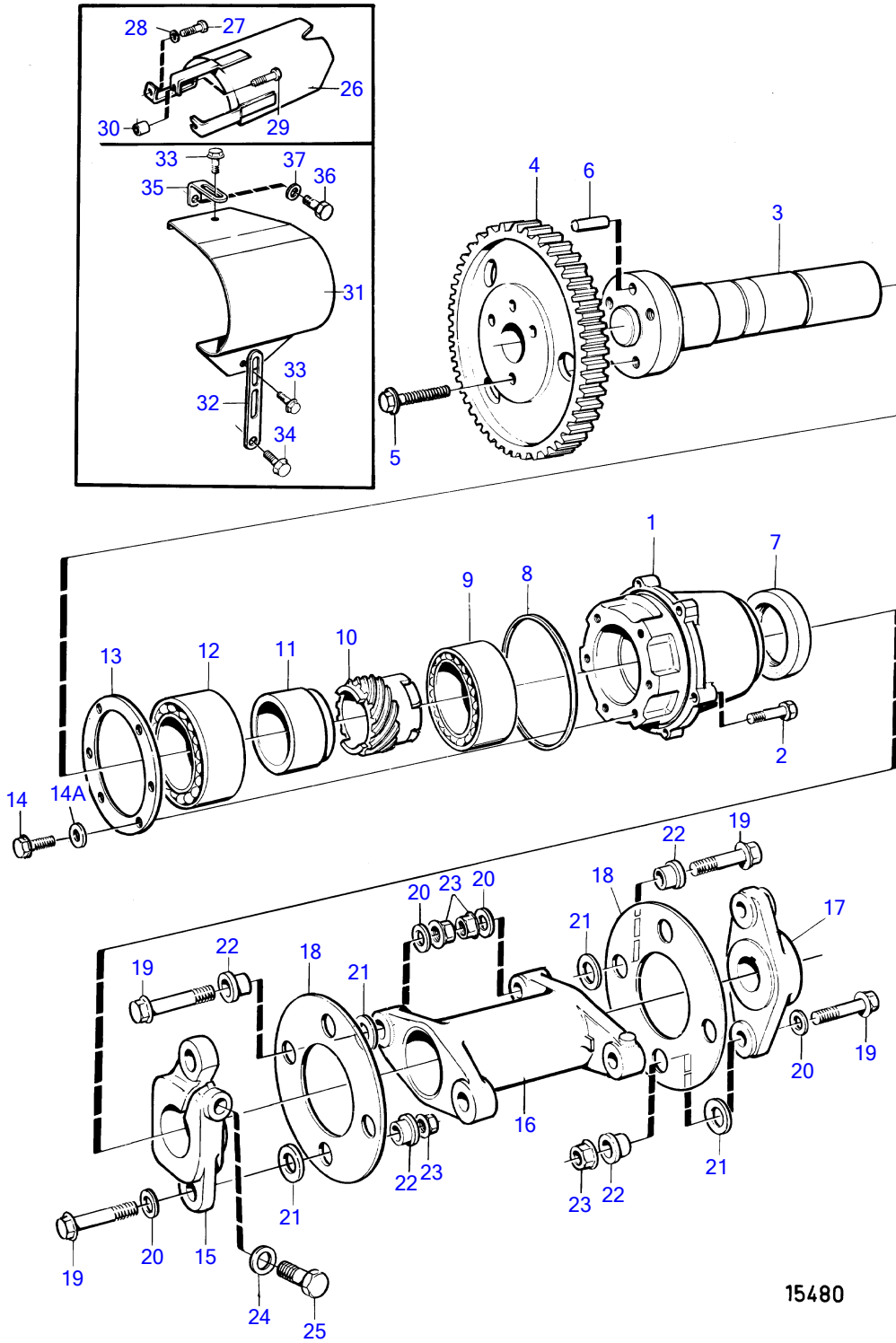


TAMD71B



15480

TAMD71B

REF	PART NO.	QTY	DESCRIPTION	SEE SEC.	NOTES
1	471556	1	Bearing housing		Replaced by 1 ea bearing housing 420903 and 5 ea screw 948336.
	420903	1	Bearing housing		
2	945444	5	Flange screw		L=25mm, early type
	948336	5	Flange screw		L=30mm, later prod (946671)
3	471557	1	Stub axle		
4	478297	1	Gear		Nitro
			• Bulletin 45-01	45-01-EN	Timing Gears, 71, 100, 121
5	471558	3	Screw		
6	950586	1	Pin		
7	424580	1	Sealing ring		
8	423123	1	Sealing ring		
9	11013	1	Ball bearing		
10	469364	1	Gear		
11	469363	1	Stop ring		
12	181577	1	Ball bearing		
13	423074	1	Washer		
14	955274	6	Hexagon screw		
14A	955892	6	Washer		
15	471383	1	Companion flange		
16	471368	1	Spacer		
17	471312	1	Companion flange		
18	479459	6	Flexplate		
19	946470	8	Flange screw		
20	976944	8	Washer		(960141)
21	479460	8	Washer		
22	478896	8	Sleeve		
23	945408	8	Flange nut		(968862)
24	976945	1	Washer		
25	970878	1	Hexagon screw		
26	4772263	1	Pump coupling guard		Early type
	865291	1	Protecting plate		Late type
27	945444	3	Flange screw		Early type
	945444	2	Flange screw		Late type
28	976944	3	Washer		(960141)
29	965216	1	Flange screw		Early type, L=55mm
30	848684	1	Spacer sleeve		Early type
31	865745	1	Protecting plate		
	3825430	1	Protecting plate		Aux
32	965542	1	Bracket		
33	967949	2	Flange screw		(965175)
34	965227	1	Flange screw, engine bracket		See group 21
35	965552	1	Bracket		
36	946440	1	Flange screw		(946173)
37	941907	1	Spring washer		Early type