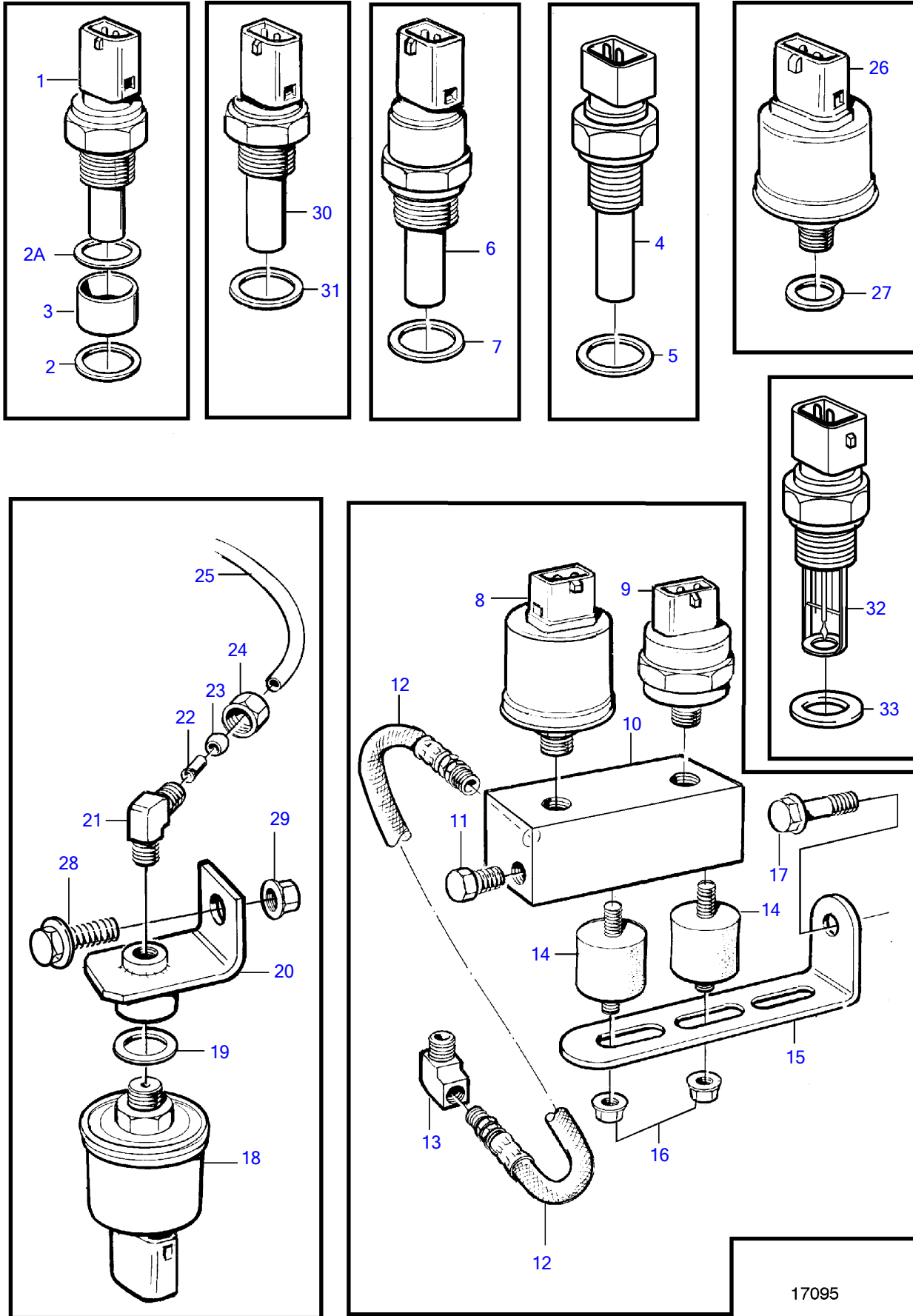


TAMD73WJ-A



17095

TAMD73WJ-A

| REF | PART NO. | QTY | DESCRIPTION                       | SEE SEC.    | NOTES   |
|-----|----------|-----|-----------------------------------|-------------|---|
| 1   | 862251   | 1   | Tachometer sensor                 |             |   |
| 2   | 949656   | 1   | O-ring                            |             |   |
| 2A  | 947624   | 1   | Gasket                            |             |   |
| 3   | 863413   | 1   | Spacer sleeve                     |             |   |
| 4   | 862154   | 1   | Temperature sensor, coolant water |             | For single instrument., 12V/24V, 120°C, M18           |
|     | 862567   | 1   | Temperature sensor, coolant water |             | For double instruments., 12V/24V, 120°C, M18 (947624) |
| 5   | 11998    | 1   | Gasket                            |             | 12V/24V, 97°C   |
| 6   | 862250   | 1   | Thermo monitor, coolant water     |             |   |
| 7   | 947624   | 1   | Gasket                            |             |   |
| 8   | 866835   | 1   | Sensor, oil-engine                |             | 0-10BAR   |
|     |          |     | · Bulletin P-38-6-1               | P-38-6-1-EN | Vibration Damping Kit                                 |
| 8   | 866836   | 1   | Sensor, oil-engine                |             | For double instruments., 0-10BAR                      |
| 9   | 863169   | 1   | Pressure monitor                  |             | 0,7bar  |
| 10  | 866704   | 1   | Bracket                           |             |   |
| 11  | 479979   | 1   | Plug                              |             |   |
| 12  | 334175   | 1   | Hose assembly                     |             |   |
| 13  | 180110   | 1   | Elbow nipple                      |             |   |
| 14  | 3574797  | 2   | Vibration damper                  |             |   |
| 15  | 965561   | 1   | Bracket                           |             |   |
| 16  | 949278   | 2   | Flange lock nut                   |             |   |
| 17  | 946440   | 1   | Flange screw                      |             |   |
| 18  | 866837   | 1   | Sensor, turbo                     |             | 0-3bar  |
| 19  | 11998    | 1   | Gasket                            |             | (947624)  |
| 20  | 843698   | 1   | Bracket                           |             |   |
| 21  | 954385   | 1   | Elbow nipple                      |             |   |
| 22  | 944717   | 1   | Support sleeve                    |             |   |
| 23  | 954364   | 1   | Sleeve                            |             |   |
| 24  | 954356   | 1   | Fitting nut                       |             |   |
| 25  | 945460   | 1   | Tube                              |             | L=500mm   |
| 26  | 866839   | 1   | Sensor, reverse gear              |             | 0-30bar   |
| 27  | 947624   | 1   | Gasket                            |             |   |
| 28  | 967949   | 1   | Flange screw                      |             |   |
| 29  | 949278   | 1   | Flange lock nut                   |             |   |