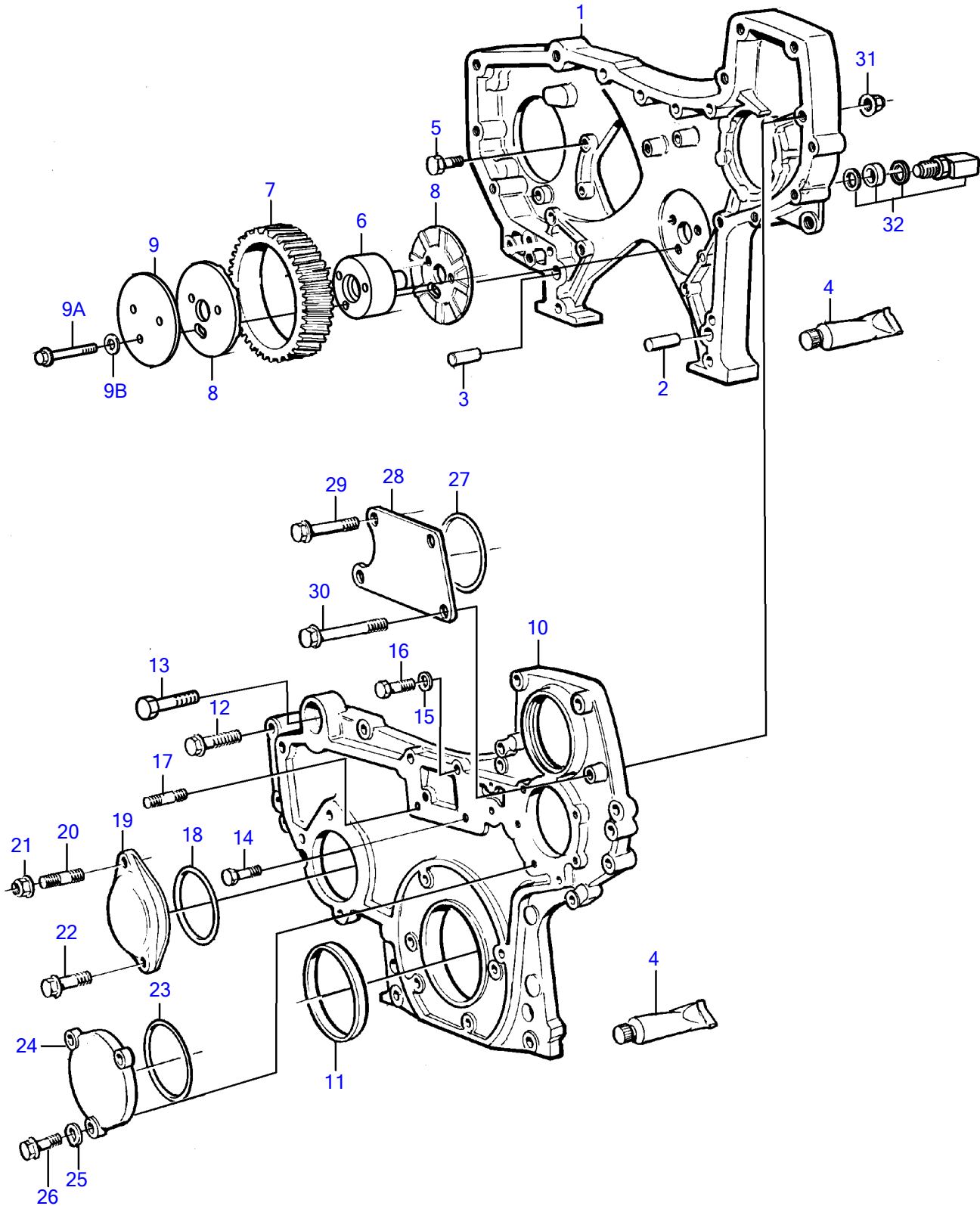


TAMD73P-A, TAMD73WJ-A



## TAMD73P-A, TAMD73WJ-A

REF	PART NO.	QTY	DESCRIPTION	NOTES
1	471505	1	Timing gear casing	
2	941511	1	Pin	
3	941510	1	Pin	
4	1161231	X	Sealant	304ml
	1161277	X	Sealant	20g
5	471534	2	Screw	L=28mm
	471535	2	Screw	L=58mm
6	479779	1	Bearing spindle	
7	8192578	1	Idler gear	
8	478951	2	Thrust washer	
9	478954	1	Bearing shield	
9A	8192579	3	Screw	
9B	942180	3	Disc spring	
10	8192590	1	Cover	(848421)
11	477118	1	• Sealing ring	
12	947760	7	Flange screw	M8x40mm
	948217	2	Flange screw	M8x45mm
	965216	1	Flange screw	M8x55mm
	965182	6	Flange screw	M8x80mm
	965183	1	Flange screw	M8x90mm
	965220	1	Flange screw	M10x45mm
13	965225	1	Flange screw	
14	946471	1	Flange screw	
15	947281	1	Gasket	
16	965190	2	Flange screw	
17	479972	1	Stud	
18	925094	1	O-ring	
19	465735	1	Cover	
20	479972	1	Stud	
21	971095	1	Flange nut	
22	965187	1	Flange screw	
23	925257	1	O-ring	
24	471559	1	Cover	
25	941907	3	Spring washer	
26	945444	3	Flange screw	
27	925095	1	O-ring	
28		1	Cover plate	
29	965187	1	Flange screw	
30	965190	3	Flange screw	
31	971098	3	Flange lock nut	
32		1	Tachometer sensor	See group 30