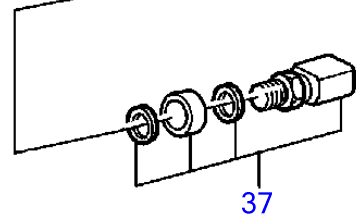
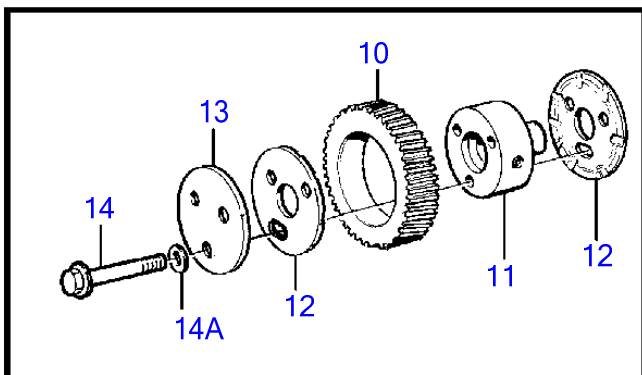
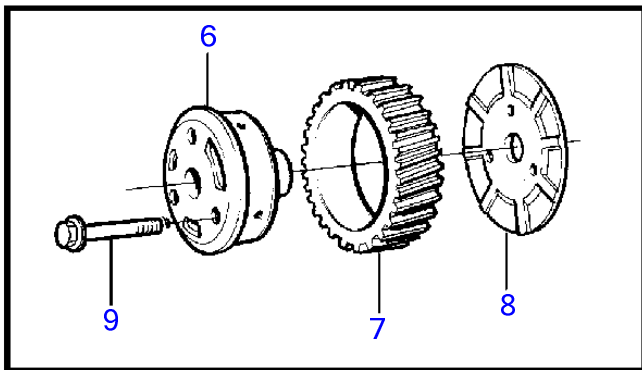
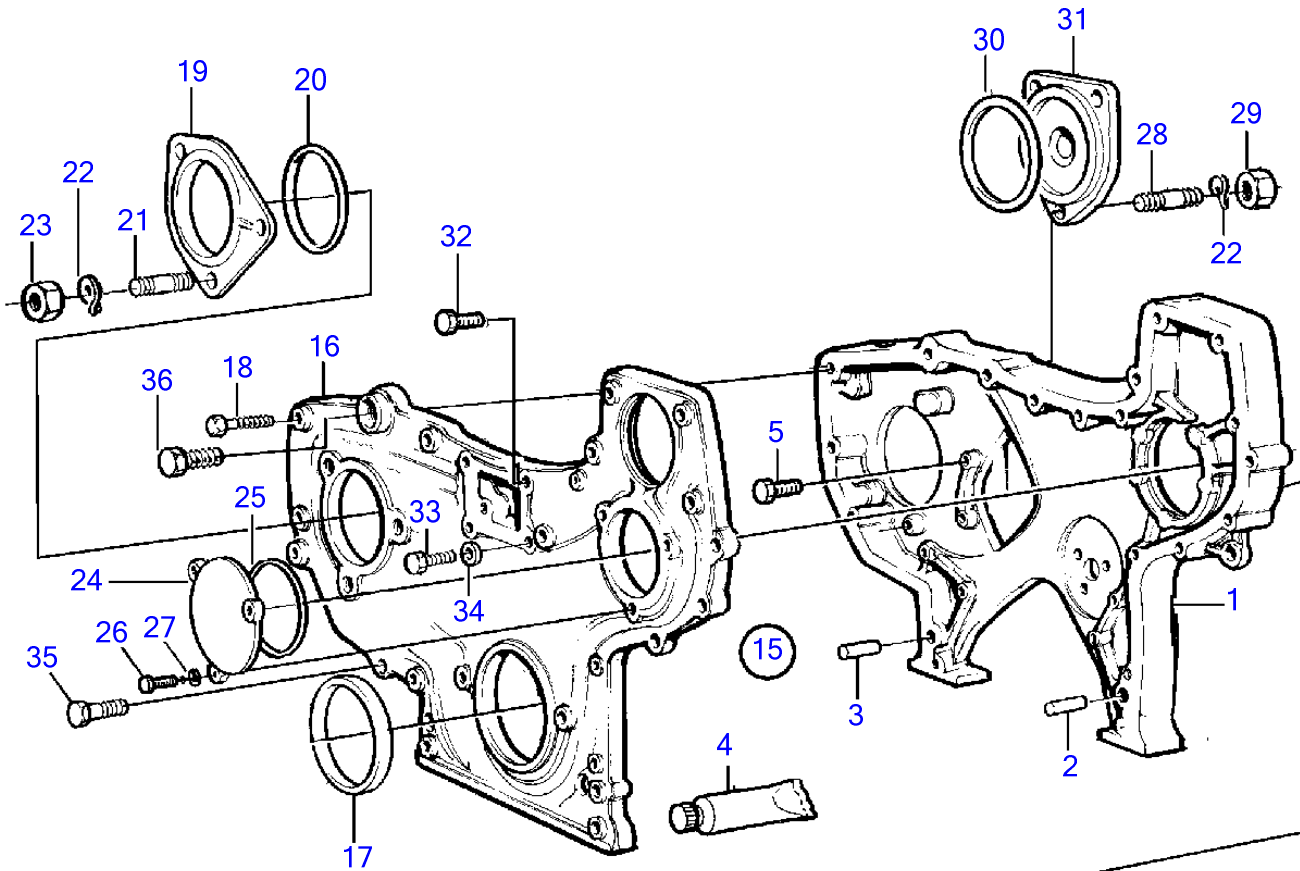


TAMD71B



TAMD71B

REF	PART NO.	QTY	DESCRIPTION	NOTES
1	471505	1	Timing gear casing	
2	941511	1	Pin	
3	941510	1	Pin	
4	1161231	X	Sealant	
5	471534	2	Screw	L=28mm
	471535	2	Screw	L=58mm
6	422766	1	Bearing spindle	
7	8192518	1	Gear	(471552)
8	478951	1	Thrust washer	(471552)
9	471554	3	Screw	(467529)
10	8192578	1	Idler gear	SNXXXXXXXXXX/82972-
11	479779	1	Bearing spindle	SNXXXXXXXXXX/82972-
12	478951	2	Thrust washer	SNXXXXXXXXXX/82972-
13	478954	1	Bearing shield	Nitro
14	8192579	3	Screw	SNXXXXXXXXXX/82972-
14A	942180	3	Disc spring	SNXXXXXXXXXX/82972-
15		1	Lock	
16	3826306	1	• Timing gear cover	(848421)
17	477118	1	• Sealing ring	
18	965182	7	Flange screw	L=80mm
	965216	1	Flange screw	L=55mm
	948217	2	Flange screw	L=45mm
	947760	7	Flange screw	L=40mm
19	848543	1	Spacer	For sea water pump 846354 and 864163., SN-1101044435/XXXXX
			sea water pump	See group 26
20	925257	1	O-ring	
21	967951	3	Stud	
22	941911	6	Spring washer	
23	971073	3	Hexagon nut	
24	471559	1	Cover	
25	925257	1	O-ring	
26	945444	3	Flange screw	
27	941907	3	Spring washer	
28	967951	3	Stud	
29	971073	3	Hexagon nut	
30	975610	1	O-ring	
31	420178	1	Cover	
32	965190	2	Flange screw	L=95mm
33	946471	2	Flange screw	L=16mm
34	947281	2	Gasket	
35	965220	1	Flange screw	L=45mm
36	965227	1	Flange screw	L=55mm, early type
37		1	Tachometer sensor	See group 30