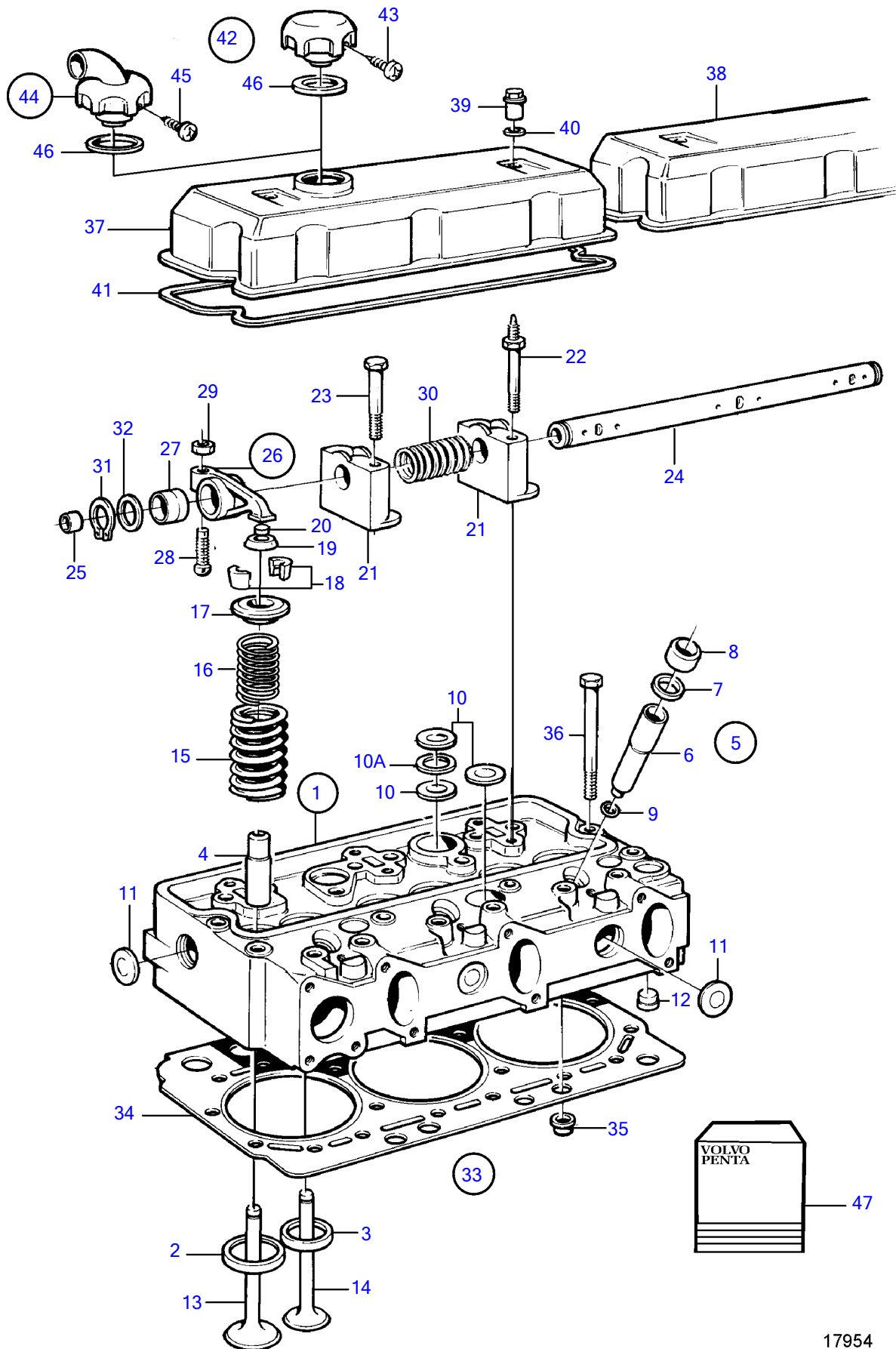


TAMD71B



TAMD71B

| REF | PART NO. | QTY | DESCRIPTION | NOTES |
|-----|----------|-----|------------------------------------|---|
| 1 | 3803311 | 2 | Cylinder head | E.U=3803100, (471409) |
| 2 | 421011 | 6 | • Valve seat, intake | Std |
| | 421316 | 6 | • Valve seat, intake | O.S=0,20mm |
| 3 | 466266 | 6 | • Valve seat, exhaust | Std |
| | 466307 | 6 | • Valve seat, exhaust | O.S=0,20mm |
| 4 | 466386 | 12 | • Valve guide | |
| 5 | 276130 | 6 | • Copper sleeve kit, fuel injector | See group 99 |
| 6 | | 6 | • • Spray sleeve | |
| 7 | 466405 | 6 | • • Sealing ring | |
| 8 | 466420 | 6 | • • Ring | |
| 9 | 466922 | 6 | • • O-ring | |
| 10 | 477026 | 14 | • Expansion plug | D=26mm |
| 10A | 947626 | 4 | • Gasket | |
| 11 | 477024 | 8 | • Expansion plug | D=35mm |
| 12 | 465420 | 10 | • Jet | |
| 13 | 3825908 | 6 | • Inlet valve, Nimonic | |
| 14 | 842080 | 6 | • Exhaust valve | |
| 15 | 466384 | 12 | Valve spring | |
| 16 | 466383 | 12 | Valve spring | |
| 17 | 466382 | 12 | Valve spring washer | |
| 18 | 468305 | 24 | Valve cotter | |
| 19 | 469456 | 12 | Protecting ring | Included in gasket kit. |
| 20 | 478074 | 12 | Valve cap | Included in gasket kit. |
| 21 | 477384 | 6 | Bearing bracket | (471511) |
| 22 | 471512 | 4 | Stud | |
| 23 | 471513 | 8 | Screw | |
| 24 | 471518 | 2 | Rocker arm shaft | |
| 25 | 946778 | 4 | • Cap plug | |
| 26 | 422063 | 12 | Rocker arm | |
| 27 | 422066 | 12 | • Bushing | |
| 28 | 422993 | 12 | • Ball stud | |
| 29 | 940175 | 12 | • Hexagon nut | |
| 30 | 421173 | 4 | Spring | |
| 31 | 914459 | 4 | Snap ring | |
| 32 | 941488 | 4 | Washer | |
| 33 | 276816 | 2 | Cylinder head gasket | See group 99 |
| 34 | | 2 | • Gasket | |
| 35 | 465784 | 12 | • Sealing ring | I.D.=26mm |
| | 466421 | 16 | • Sealing ring | I.D.=16mm |
| | 422413 | 2 | • Sealing ring | I.D.=11mm |
| 36 | 471481 | 40 | Screw | |
| 37 | 471813 | X | Valve cover, with oil filler cap | |
| 38 | 471426 | X | Valve cover | |
| 39 | 465961 | 4 | Cap nut | |
| 40 | 471856 | 4 | Sealing ring | Included in gasket kit. |
| 41 | 471520 | 2 | Gasket | Included in gasket kit. |
| 42 | 421753 | 1 | Oil filler cap | |
| 43 | 955126 | 3 | • Cross recessed screw | |
| 44 | 866979 | 1 | Oil filler cap | With connecting pipe for crankcase house ventilation. |
| 45 | 955126 | 3 | • Cross recessed screw | |
| 46 | 1275379 | 1 | Gasket | |
| 47 | 876618 | 1 | Gasket kit | See group 99 |