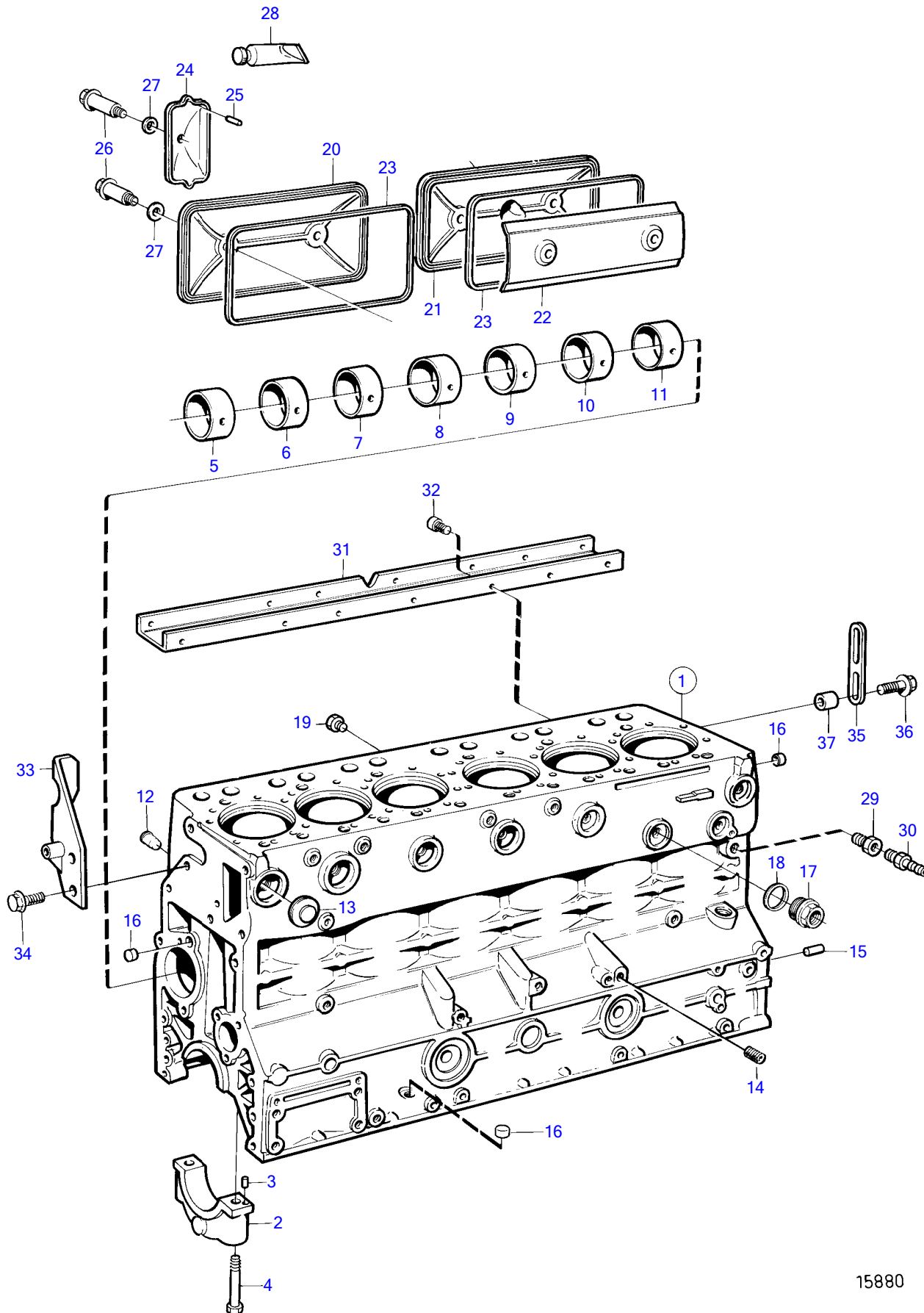


TAMD71B



15880

TAMD71B

REF	PART NO.	QTY	DESCRIPTION	NOTES
1	471400	1	Cylinder block	1/4 thread for oil pressure pipe to injection pump. see oil pressure pipe gr. 23., SN-XXXXXXXXXX/58796
	477910	1	Cylinder block	M10 thread for oil pressure pipe to injection pump. see oil pressure pipe gr. 23., SNXXXXXXXXXX/58797-SN-XXXXXXXXXX/64646
	477990	1	Cylinder block	M12 thread for oil pressure pipe for injection pump. See oil pressure pipe gr. 23., SN2071064647-
	3801054	1	Short block, exch	M12 thread for oil pressure pipe for injection pump. See oil pressure pipe gr. 23., SN2071064647-SN-2071097292
2		7	• Main bearing cap	
3	422426	1	• Pivot pin	
4	465899	14	• Screw	
5	422076	1	• Bushing	
6	422077	1	• Bushing	
7	422078	1	• Bushing	
8	422079	1	• Bushing	
9	422080	1	• Bushing	
10	422081	1	• Bushing	
11	422082	1	• Bushing	
12	422369	2	• Plug	
13	968955	6	• Expansion plug	
14	968145	1	• Plug, 3/8-NPTF	
15	191171	2	• Pin, flywheel cover	
16	955082	6	• Cap plug	
	955082	2	Cap plug	
17	848565	1	Nipple, cool. water pipe	See group 25
18	469328	1	Gasket	
19	479976	1	Plug, cool. water pipe	(946559)
20	420120	1	Inspection cover	
21	420121	1	Inspection cover, crankcase vent.	
22	3978045	1	Splash plate	(471858)
23	421121	2	Gasket	
24	471854	1	Cover	
25	951973	1	Spring pin	
26	471855	5	Screw	
27	471856	5	Sealing ring	
28	1161231	X	Sealant	304ml
	1161277	X	Sealant	20g
29	479954	1	Nipple	
30	947893	1	Shut-off cock	
31	(865779)	1	Bracket	Obsolete part
32	959220	7	Hex. socket screw	
33	847932	1	Lifting eye	
34	965191	2	Flange screw	
35	(848533)	1	Lifting eye	Obsolete part
36	965225	2	Flange screw	
37	847237	1	Spacer sleeve	