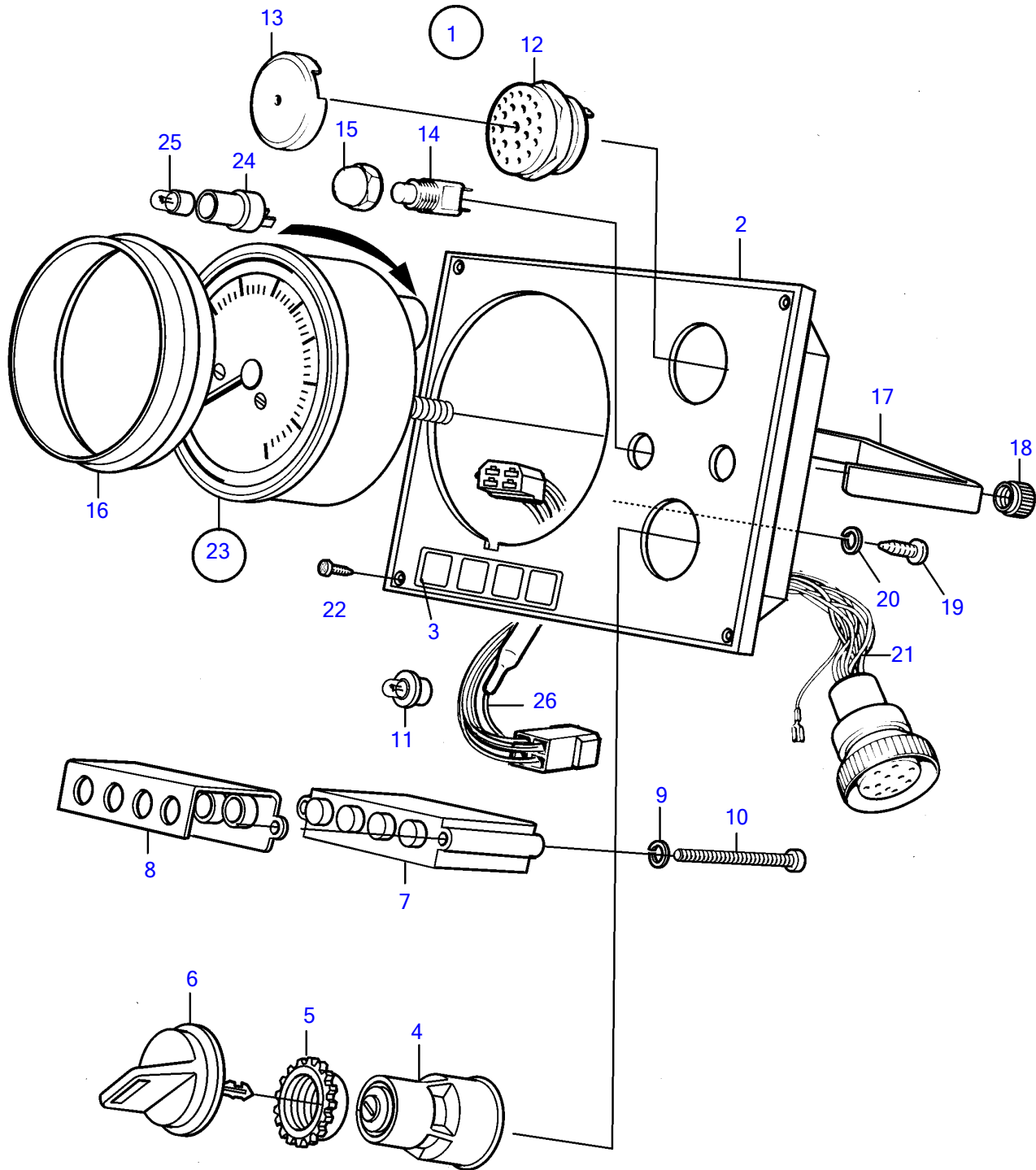


TAMD71B, TAMD73P-A, TAMD73WJ-A



## TAMD71B, TAMD73P-A, TAMD73WJ-A

REF	PART NO.	QTY	DESCRIPTION	SEE SEC.	NOTES
1	873592	1	Instrument panel		Repl by 3587076
	3587076	1	Instrument panel		
2	860183	1	• Instrument panel		
3	858645	1	• Symbol strip		
4	864277	1	• Starter switch		Repl by 3587072
	3587072		• Starter switch		
5	859955	1	• • Plastic nut		
6	859953	2	• • Key		State key code when ordering.
			• Bulletin 49-30	49-30-EN	Key P/N 859953 (873209)
7	873737	1	• Electronic unit		
8	828784	1	• Reflector		
9	941904	2	• Spring washer		
10	(941615)	2	• Cross recessed screw		Obsolete part
11	828818	4	• Bulb		24V
12	828587	1	• Buzzer		
13	858795	1	• Protecting casing		
14	828584	1	• Toggle switch		Alarm test
	828585	1	• Toggle switch		Instr. light
15	828586	2	• Nut		
16	873517	1	• Ring		
17	873208	1	• Brace kit		
18		2	• • Nut		
19	949947	1	• Cross recessed screw		
20	941904	1	• Spring washer		
21	828648	1	• Cable kit		
22	828647	4	• Screw		
23	873998	1	Tachometer kit		3400 rpm, 12/24V (873586) (876750)
24	863945	1	• Lamp socket		
25	863946	1	• Bulb		12V, 1,2W
	863947	1	• Bulb		24V, 1,2W
26	873695	1	• Diode cable		