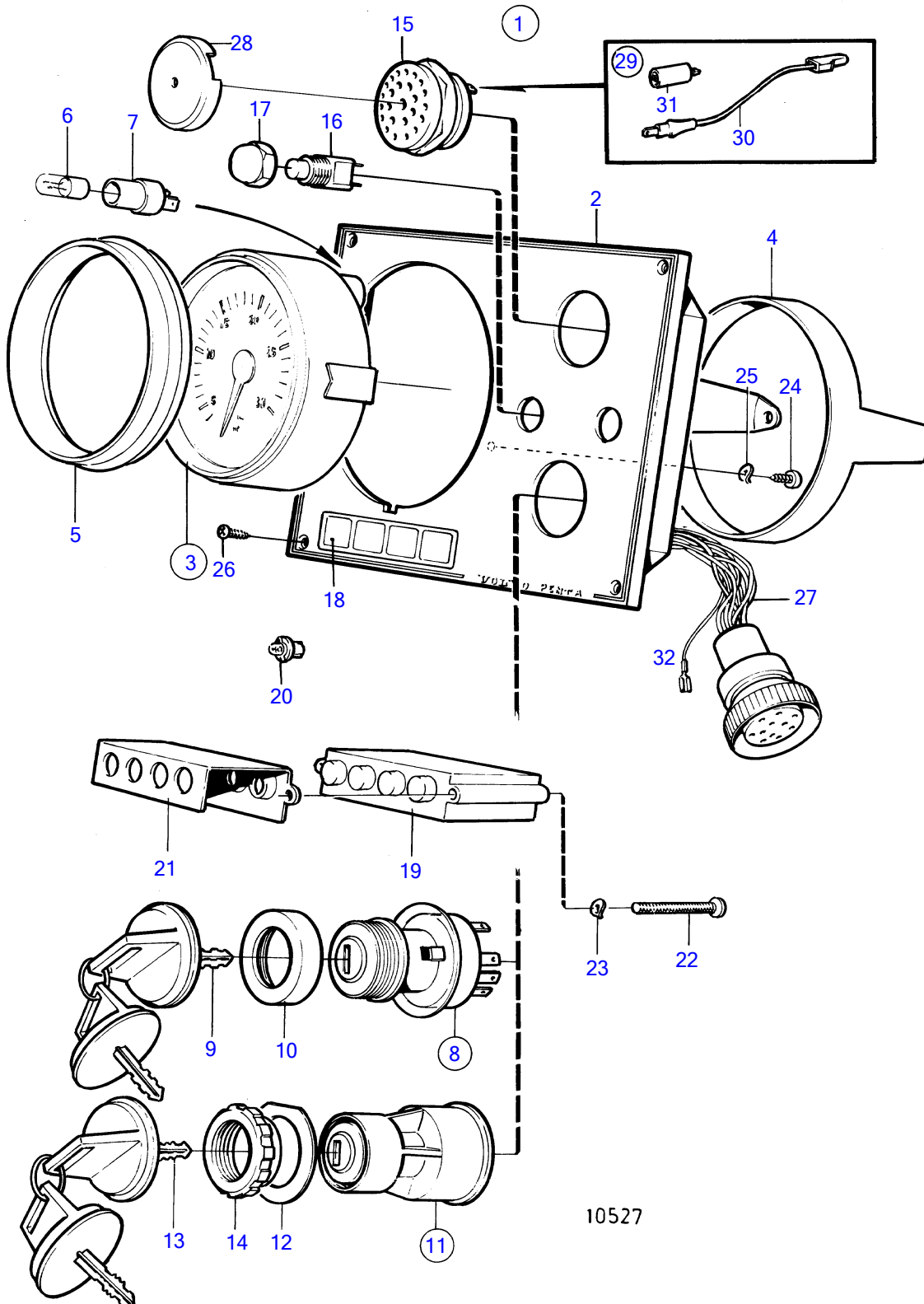


TAMD71B



## TAMD71B

| REF | PART NO. | QTY | DESCRIPTION            | SEE SEC.    | NOTES  |
|-----|----------|-----|------------------------|-------------|--|
| 1   | 849938   | 1   | Instrument panel       |             | White coloured stripe., Replaced by 864047   |
| 2   | 860183   | 1   | • Instrument panel     |             |  |
| 3   | 872039   | 1   | • Tachometer           | 802         |  |
| 4   | (828558) | 1   | • • Attaching ring     |             | Obsolete part                                |
| 5   | 858644   | 1   | • Front ring           |             |  |
| 6   | 19923    | 1   | • Bulb                 |             |  |
| 7   | 808175   | 1   | • Lamp socket          |             |  |
| 8   | 828778   | 1   | • Starter switch       | 802         | Repl by 864277                               |
| 9   | (828676) | 1   | • • Key                |             | State key code when ordering., Obsolete part |
|     |          |     | Bulletin P-36-4-1      | P-36-4-1-EN | Deleted Part No's for Keys                   |
| 10  | 1581184  | 1   | • Round nut            |             |  |
| 11  | 864277   | 1   | • Starter switch       |             |  |
| 12  | 860086   | 1   | • • Marking label      |             |  |
| 13  | 859953   | 2   | • • Key                |             | State key code when ordering.                |
|     |          |     | Bulletin 49-30         | 49-30-EN    | Key P/N 859953                               |
| 14  | 859955   | 1   | • • Plastic nut        |             |  |
| 15  | 828587   | 1   | • Buzzer               |             |  |
| 16  | 828584   | 1   | • Toggle switch        |             | Alarm test                                   |
|     |          | 1   | • Toggle switch        |             | Instr. light                                 |
| 17  | 828586   | 2   | • Nut                  |             |  |
| 18  | 858645   | 1   | • Symbol strip         |             |  |
| 19  | 873737   | 1   | • Electronic unit      |             | (828783)                                     |
| 20  | 19923    | 4   | • Bulb                 |             | 12V  |
| 21  | 828784   | 1   | • Reflector            |             |  |
| 22  | (941615) | 2   | • Cross recessed screw |             | Obsolete part                                |
| 23  | 941904   | 2   | • Spring washer        |             |  |
| 24  | 949947   | 1   | • Cross recessed screw |             |  |
| 25  | 941904   | 1   | • Spring washer        |             |  |
| 26  | 828647   | 4   | • Screw                |             |  |
| 27  | 828648   | 1   | • Cable kit            |             |  |
| 28  | 858795   | 1   | • Protecting casing    |             |  |
| 32  |          | X   | electrical materials   | 1963        |  |