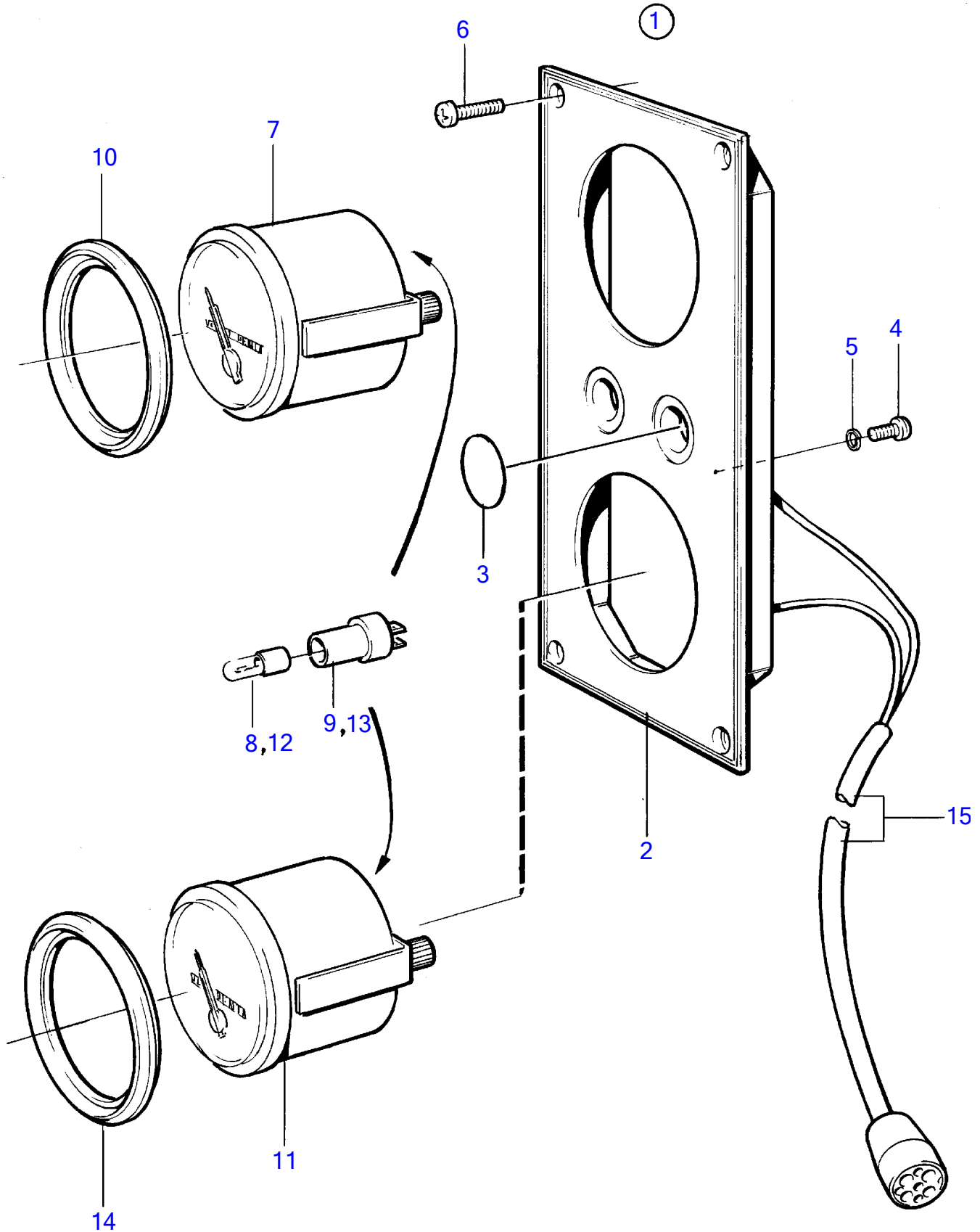


TAMD71B, TAMD73P-A, TAMD73WJ-A



TAMD71B, TAMD73P-A, TAMD73WJ-A

| REF | PART NO. | QTY | DESCRIPTION | SEE SEC. | NOTES |
|-----|----------|-----|----------------------------|----------|--|
| 1 | 846847 | 1 | Instrument panel | | Replaced by 849940 |
| | 849940 | 1 | Instrument panel | | Gold coloured stripe. |
| 2 | (858874) | 1 | • Instrument panel | | White coloured stripe. |
| 3 | 828607 | 2 | • • Cover plate | | |
| 4 | 949947 | 1 | • • • Cross recessed screw | | |
| 5 | 941904 | 1 | • • Spring washer | | |
| 6 | 828647 | 4 | • • Screw | | |
| 7 | 873201 | 1 | • Oil pressure gauge | | (863936) |
| 8 | 863946 | 1 | • • Bulb | | Use white bulb 19923 and socket 808175 for earlier gauges. |
| 9 | 863945 | 1 | • • Lamp socket | | Use white bulb 19923 and socket 808175 for earlier gauges. |
| 10 | 858643 | 1 | • Front ring | | |
| 11 | 863938 | 1 | • Turbo pressure gauge | | 0-2bar |
| 12 | 863946 | 1 | • • Bulb | | Red |
| 13 | 863945 | 1 | • • Lamp socket | | |
| 14 | 858643 | 1 | • Front ring | | |
| 15 | | 1 | • Cable trunk | | |
| | | X | | 1963 | |