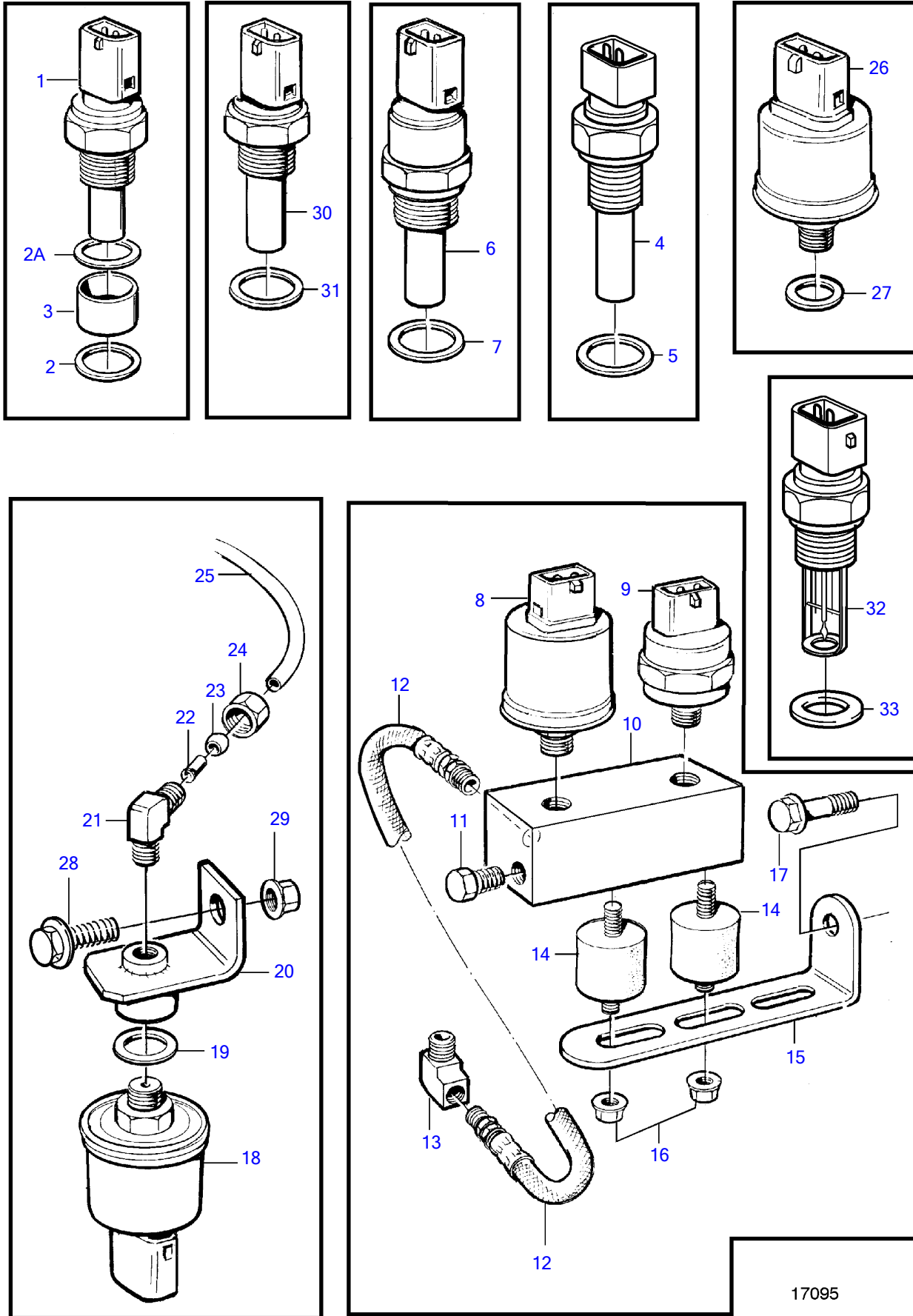


TAMD73P-A



17095

TAMD73P-A

REF	PART NO.	QTY	DESCRIPTION	SEE SEC.	NOTES
4	862154	1	Temperature sensor, coolant water		For single instrument., 12V/24V, 120°C, M18
	862567	1	Temperature sensor, coolant water		For double instruments., 12V/24V, 120°C, M18
5	11998	1	Gasket		(947624)
6	862250	1	Thermo monitor, coolant water		12V/24V, 97°C
7	947624	1	Gasket		
8	866835	1	Sensor, oil-engine		0-10BAR
			Bulletin P-38-6-1	P-38-6-1-EN	Vibration Damping Kit
8	866836	1	Sensor, oil-engine		For double instruments., 0-10BAR
9	863169	1	Pressure monitor		0,7bar
10	866704	1	Bracket		
11	479979	1	Plug		
12	334175	1	Hose assembly		
13	180110	1	Elbow nipple		
14	3574797	2	Vibration damper		
15	965561	1	Bracket		
16	949278	2	Flange lock nut		
17	946440	1	Flange screw		
18	866837	1	Sensor, turbo		0-3bar
19	11998	1	Gasket		(947624)
20	843698	1	Bracket		
21	954385	1	Elbow nipple		
22	944717	1	Support sleeve		
23	954364	1	Sleeve		
24	954356	1	Fitting nut		
25	945460	1	Tube		L=500mm
26	866839	1	Sensor, reverse gear		0-30bar
27	947624	1	Gasket		
28	967949	1	Flange screw		
29	949278	1	Flange lock nut		
30	1624368	1	Sensor, coolant water		For EDC unit., M16
31	947622	1	Gasket		
32	8141474	1	Temperature sensor, air inlet		
33	947624	1	Gasket		