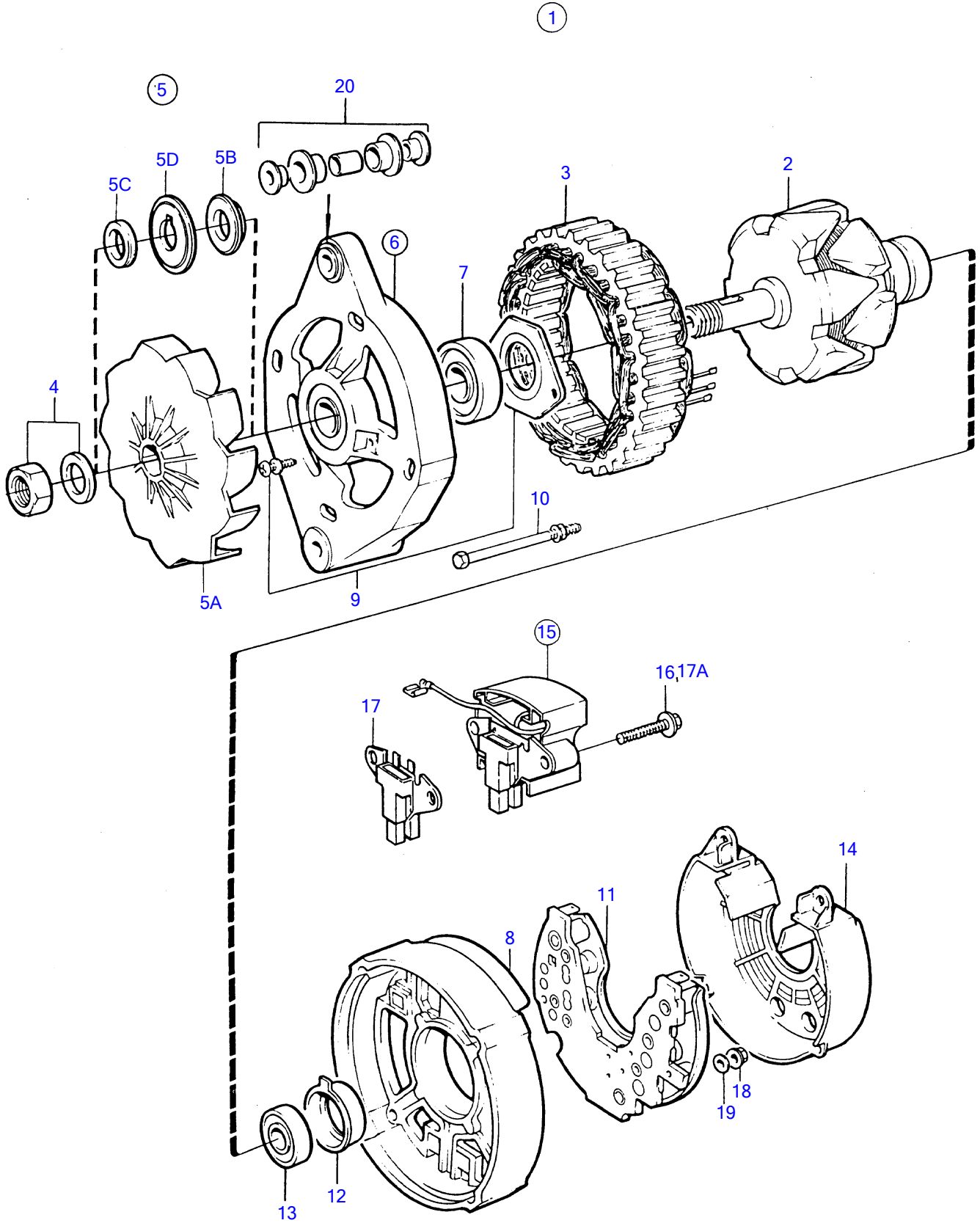


TAMD71B, TAMD73P-A, TAMD73WJ-A



TAMD71B, TAMD73P-A, TAMD73WJ-A

REF	PART NO.	QTY	DESCRIPTION	NOTES
1	872018	1	Alternator	14V 50A
2		1	• Rotor	
3	(859421)	1	• Stator	Obsolete part
4	6212688	1	• Mounting kit	
5	(860281)	1	• Fan kit	Obsolete part
5A		1	• • Fan	
5B	862897	1	• • Spacer	
5C	860284	1	• • Spacer	
5D	860283	1	• • Washer	
6		1	• End plate	
7	860432	1	• • Ball bearing	
8		1	• End plate	
9	(840625)	1	• Mounting kit	Obsolete part
10		1	• Screw kit	
11	(1698689)	1	• Diode bridge	This diode bridge with zener-diodes replaces all the earlier diode bridges., Obsolete part
12	(840629)	1	• Bearing race	Obsolete part
13	864351	1	• Ball bearing	
14	(840631)	1	• Protecting casing	Obsolete part
15	872367	1	• Regulator kit	
16	859312	6	• • Screw	
17	840632	1	• • Brush retainer	
17A	859312	2	• • • Screw	
18	955779	1	• Hexagon nut	M4, w
	965483	2	• Flange nut	M5, D+, B-
	945407	1	• Flange nut	M6, b+
19	941904	1	• Spring washer	W
20	840634	1	• Guide	