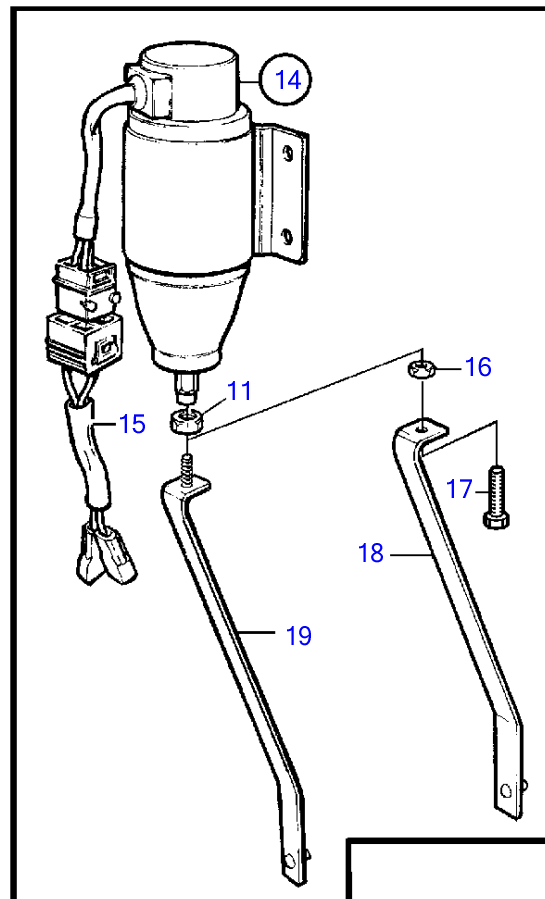
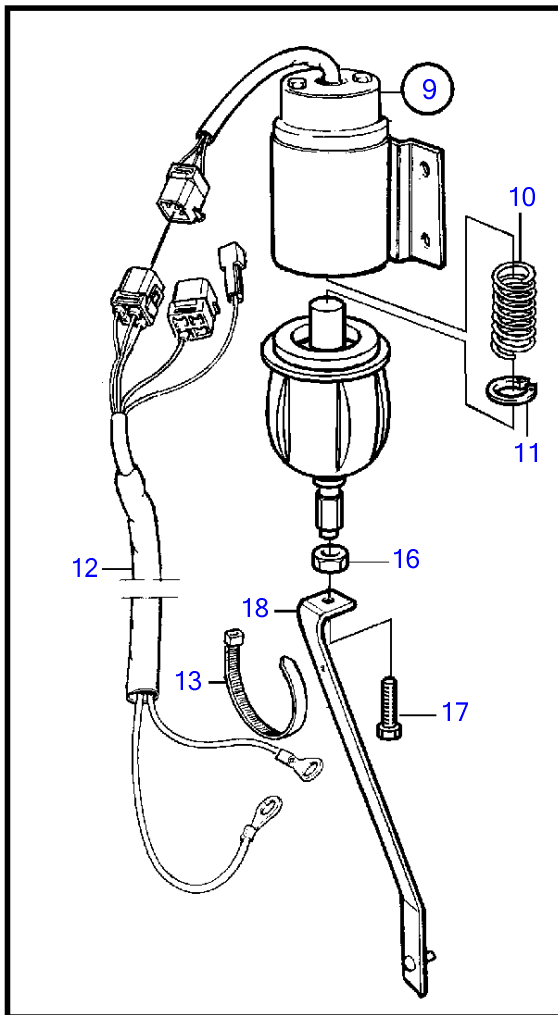
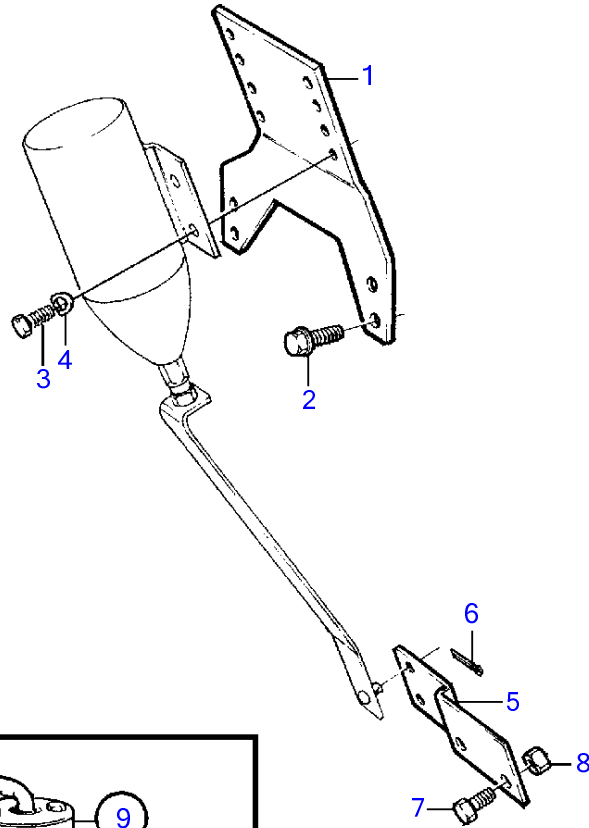


TAMD71B



17089

TAMD71B

REF	PART NO.	QTY	DESCRIPTION	NOTES
1	(848105)	1	Bracket	Obsolete part
2	946440	2	Flange screw	
3	955269	4	Hexagon screw	
4	949607	4	Spring washer	
5	(848811)	1	Intermediate lever	Obsolete part
6	664822	1	Split pin	
7	945414	2	Flange screw	
8	946035	2	Lock nut	
9	3826743	1	Actuator solenoid	12V, early type
	3826742	1	Actuator solenoid	24V, early type
10	847009	1	• Return spring	
11	(969294)	1	• Snap ring	Obsolete part
12	873638	1	Cable kit	Early type
13	948211	X	Cable tie	
14	876592	1	Control magnet kit	12V, early type
	876593	1	Control magnet kit	24V, early type
15		1	Adapter	Early type
16	955782	1	Hexagon nut	
17	955297	1	Hexagon screw	Earlier production version.
18	848782	1	Link arm	Earlier production version.
19		1	Link arm	Replaced by 1 ea linkarm 848782, 1 ea screw 955297 and 1 ea nut 955782., As spare part version, use earlier production version.