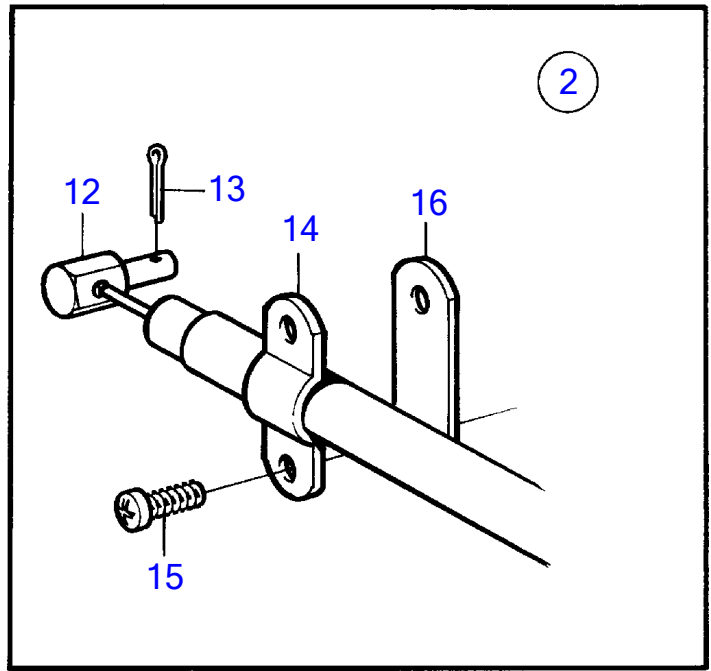
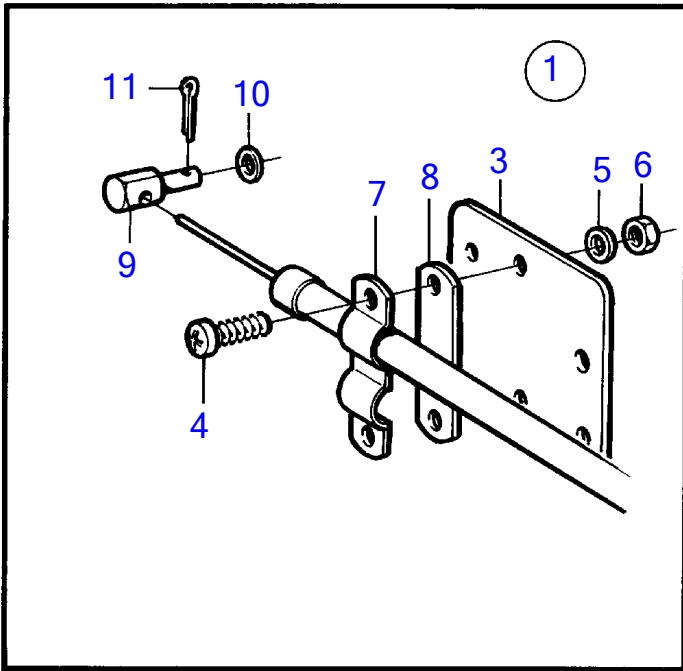
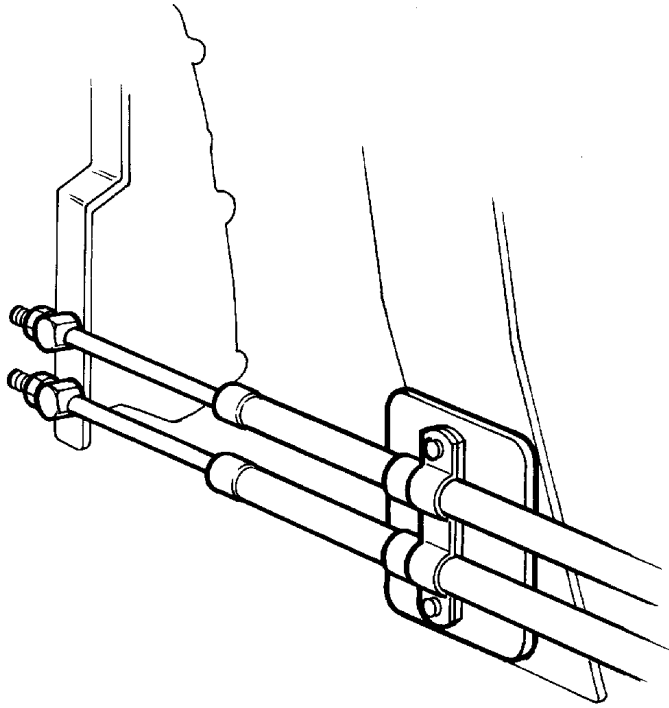


TAMD71B, TAMD73P-A, TAMD73WJ-A



8745

TAMD71B, TAMD73P-A, TAMD73WJ-A

| REF | PART NO. | QTY | DESCRIPTION | NOTES |
|-----|----------|-----|----------------------|--|
| 1 | (843945) | 1 | Mounting kit | For control cable type 333., Obsolete part |
| 3 | 843944 | 1 | Anchorage | |
| 4 | 950021 | 2 | Cross recessed screw | |
| 5 | 941905 | 2 | Spring washer | |
| 6 | 955844 | 2 | Hexagon nut | |
| 7 | 850182 | 1 | Cable attachment | |
| 8 | (850183) | 1 | Spacer | Obsolete part |
| 9 | 814085 | 2 | Cube | |
| 10 | 941906 | 2 | Spring washer | |
| 11 | 17276 | 2 | Split pin | |