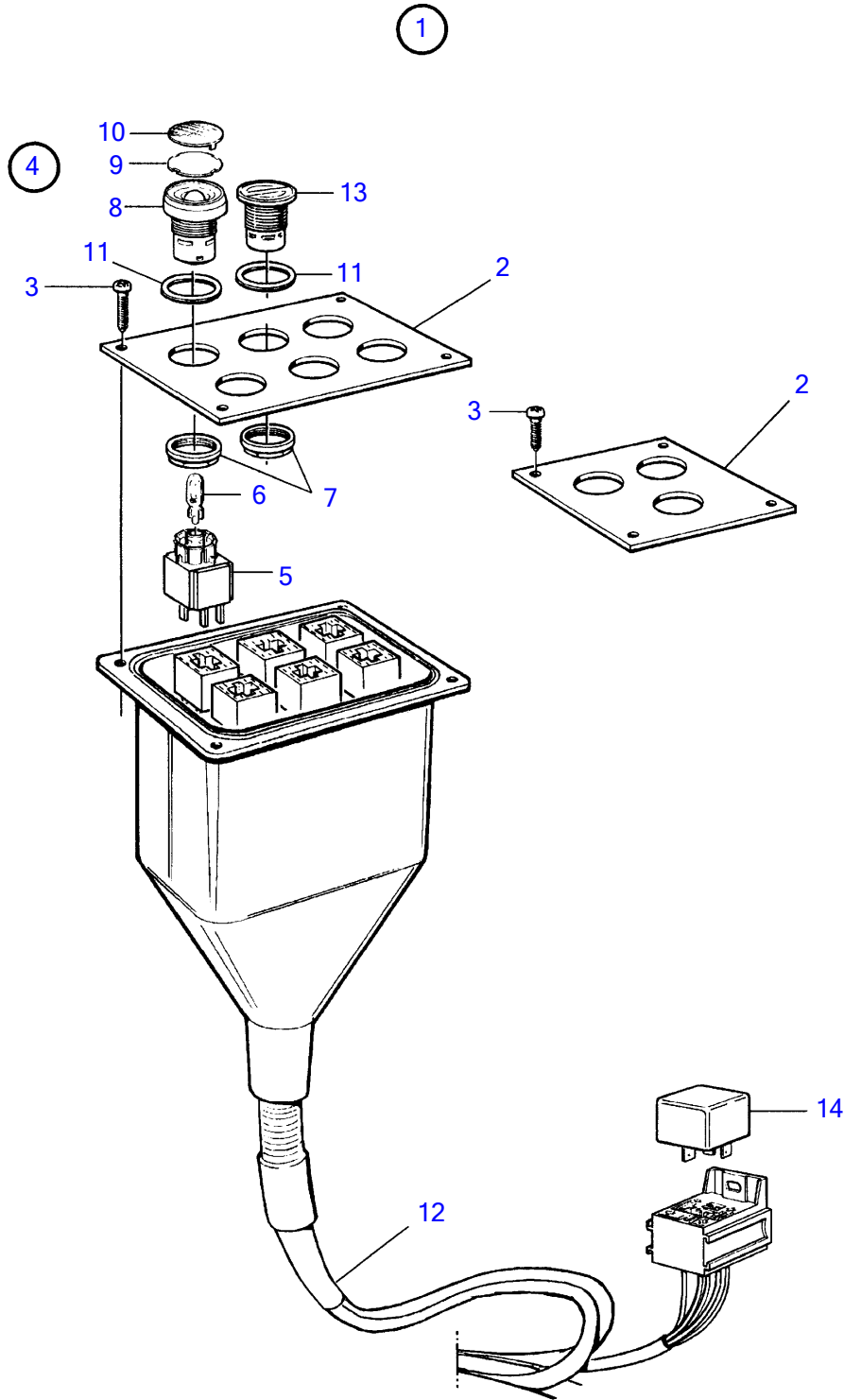


TAMD73P-A



17080

TAMD73P-A

REF	PART NO.	QTY	DESCRIPTION	NOTES
1	873890	1	Control panel	Single engine installation. For two or more stations., 3 hole, 12V
	873891	1	Control panel	Single engine installation. For two or more stations., 3 hole, 24V
2	873642	1	• Plate	Single engine installation. For two or more stations., 3 hole, (873650)
3	828647	4	• Screw	
4	876950	3	• Push button kit	
5		3	• • Connector unit	
6	942327	3	• • Bulb	12V, 1,2W
	943638	3	• • Bulb	24V, 1,2W
7		3	• • Attaching ring	
8		3	• • Button	
9		18	• • Symbol strip	
10		3	• • Cover plate	Green
		3	• • Cover plate	Yellow
		3	• • Cover plate	Red
		3	• • Cover plate	Blue
11		3	• • Gasket	
12	873857	1	• Cable kit	
13	873750	X	• Plastic plug	